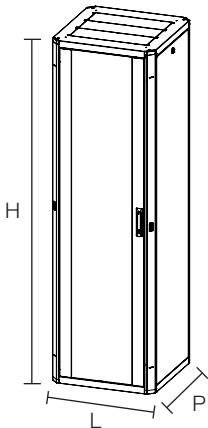






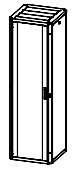

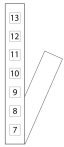
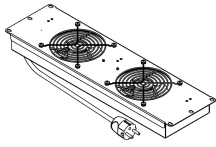



LxP: 600x600mm - 19"









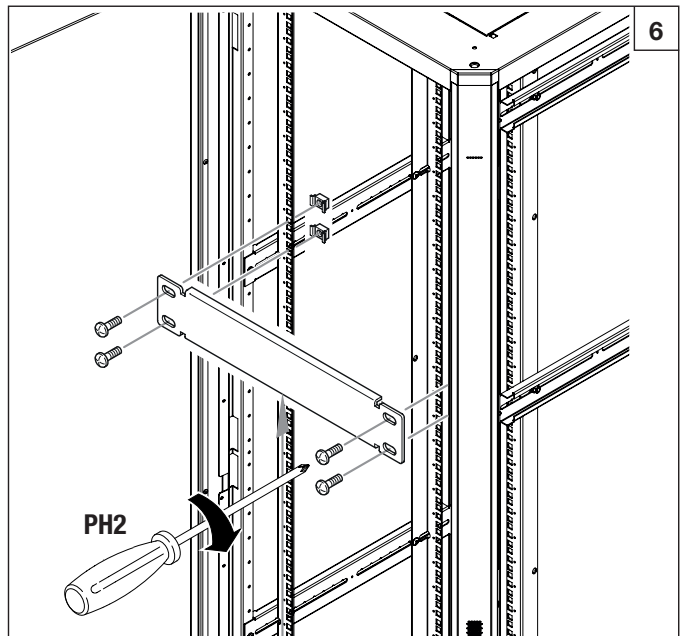
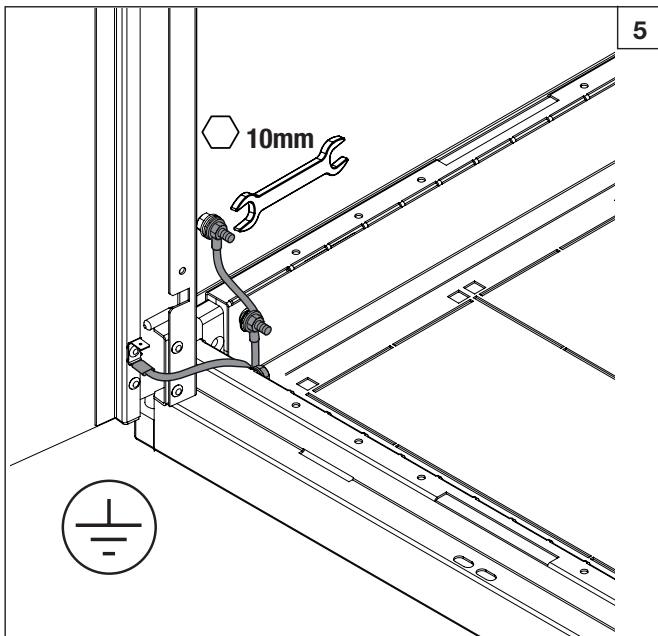
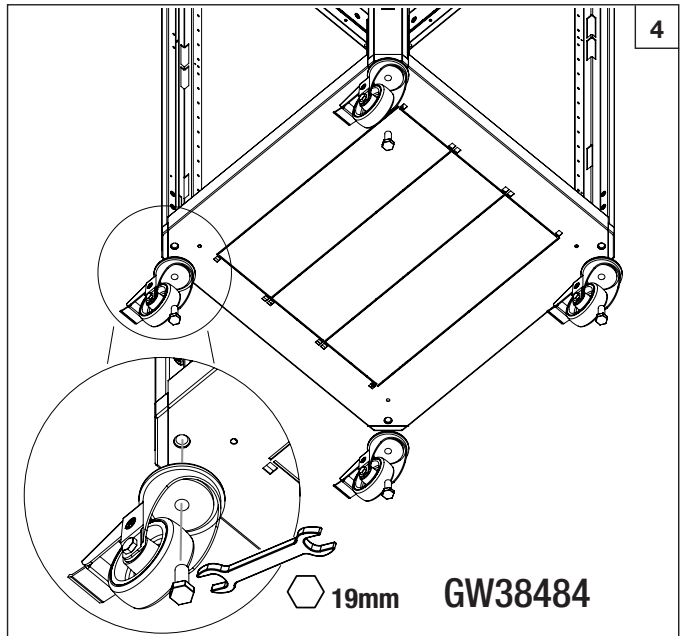
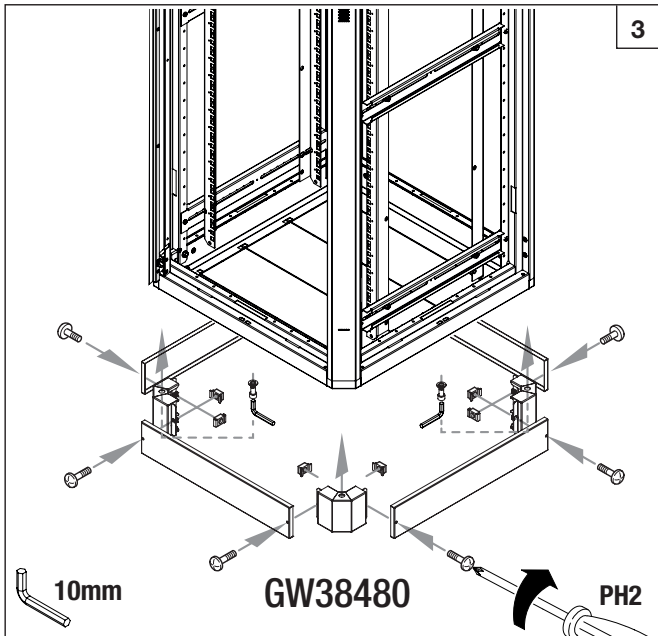
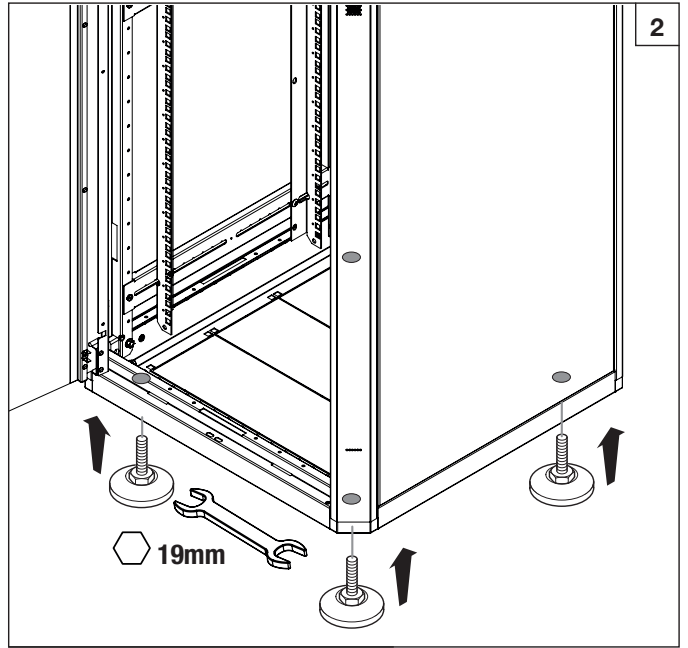
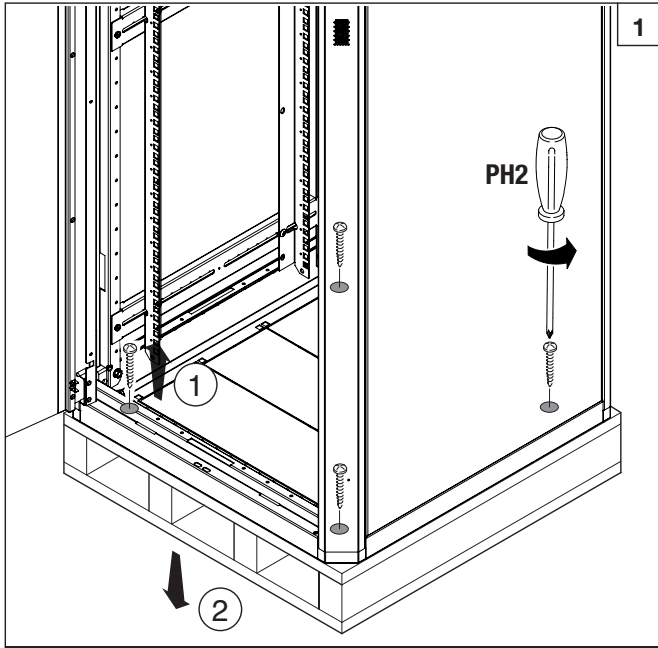
GW38451: H 1200mm (24U)
 GW38452: H 1500mm (30U)
 GW38453: H 2000mm (42U)

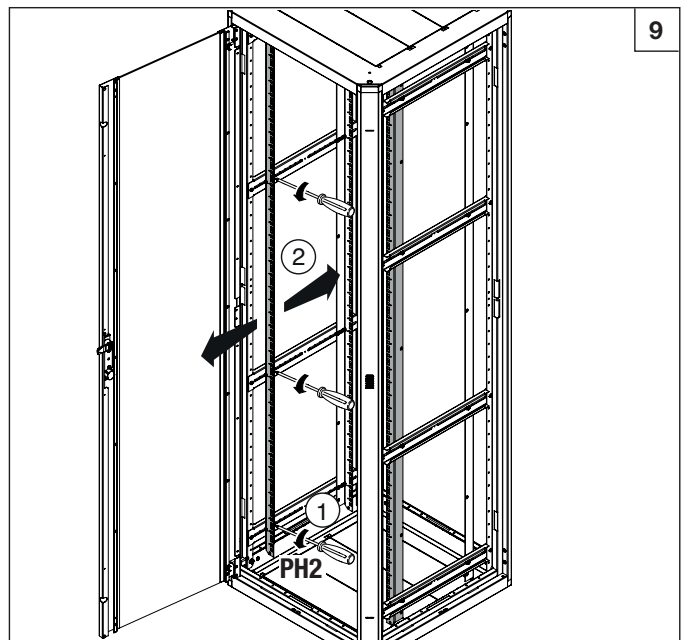
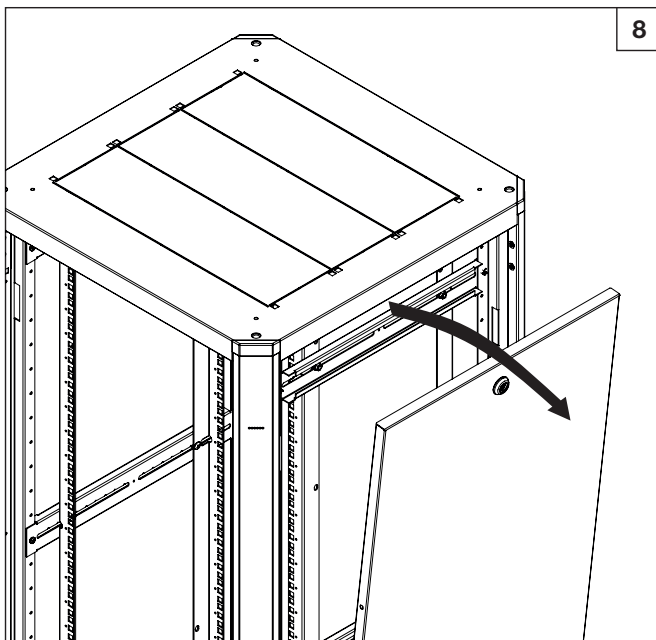
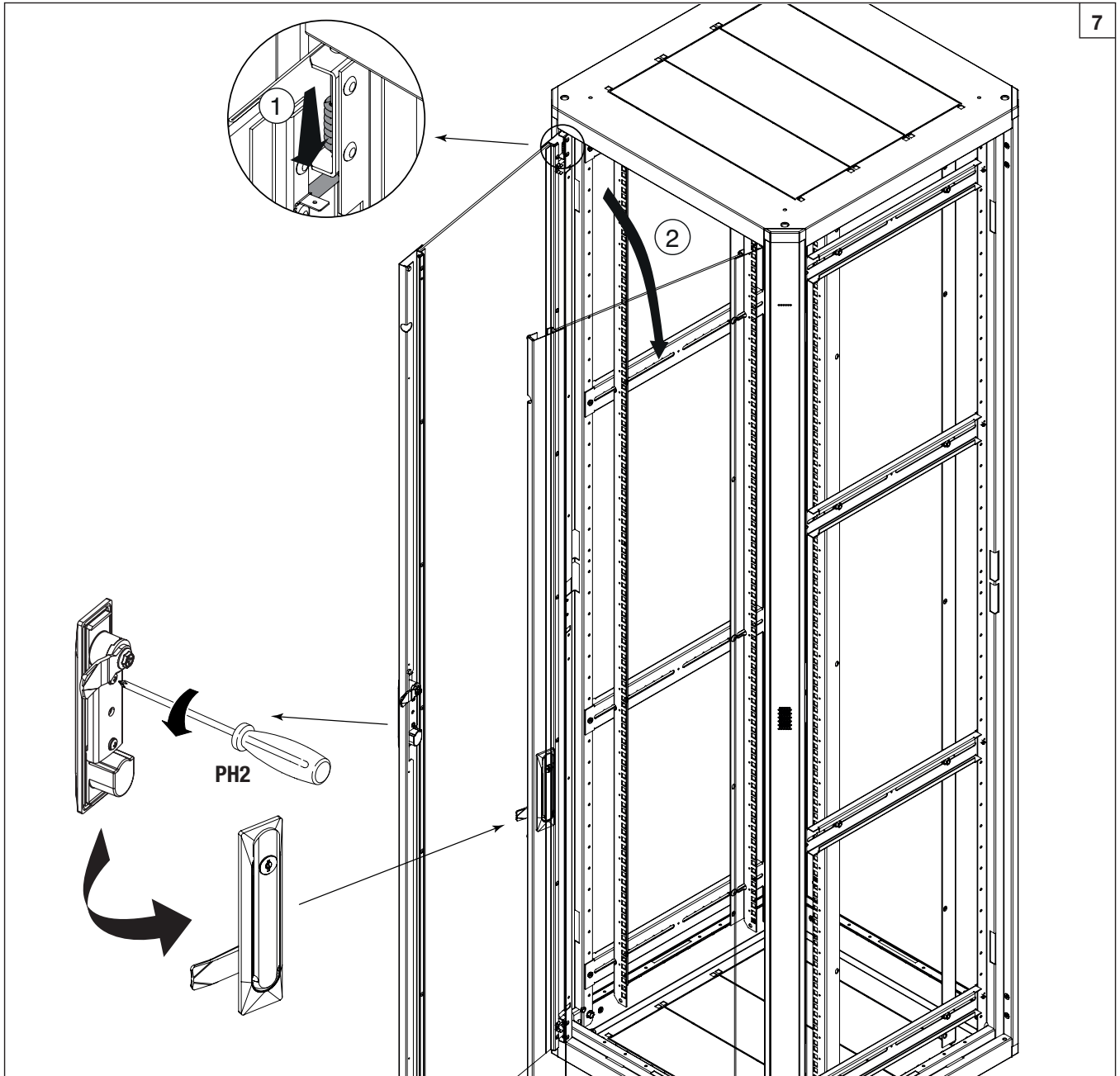


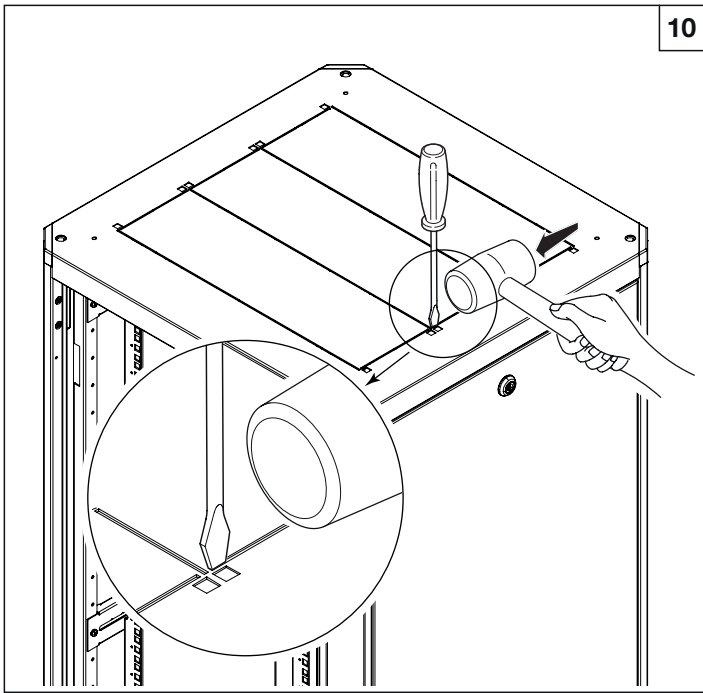
-  1000 Kg
-  1000 Kg
-  360 Kg

		
	GW 38 472	GW 38 451 GW 38 452 GW 38 453
	GW 38 473	
	GW 38 479	
	GW 38 480 600x600mm	
	GW 38 483	
	GW 38 484	

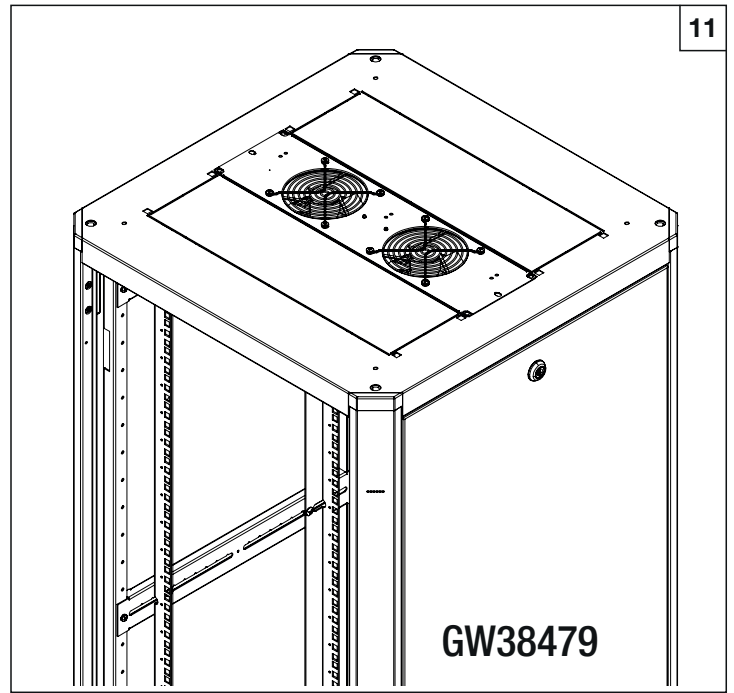
		
	GW 38 474 24U	GW 38 451
	GW 38 475 30U	GW 38 452
	GW 38 476 42U	GW 38 453
	GW 38 557	GW 38 451 GW 38 452 GW 38 453
	GW 38 558	





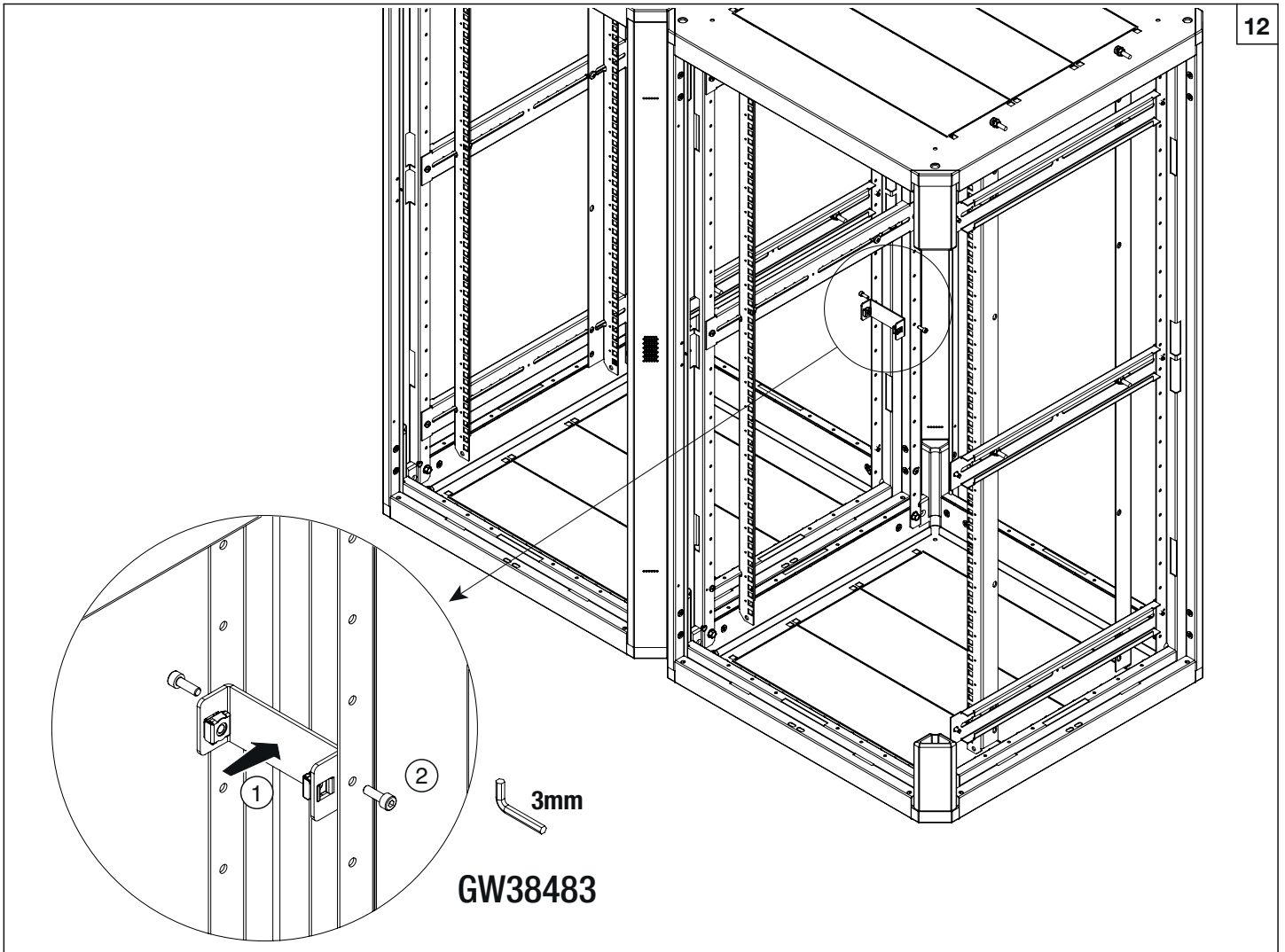


10



11

GW38479



12

GW38483

Punto di contatto indicato in adempimento ai fini delle direttive e regolamenti UE applicabili:
 Contact details according to the relevant European Directives and Regulations:

GEWISS S.p.A. Via A.Volta, 1 IT-24069 Cenate Sotto (BG) Italy tel: +39 035 946 111 E-mail: qualitymarks@gewiss.com



+39 035 946 111
 8.30 - 12.30 / 14.00 - 18.00
 lunedì - venerdì - monday - friday



+39 035 946 260



sat@gewiss.com
 www.gewiss.com