

Auxiliary power supply

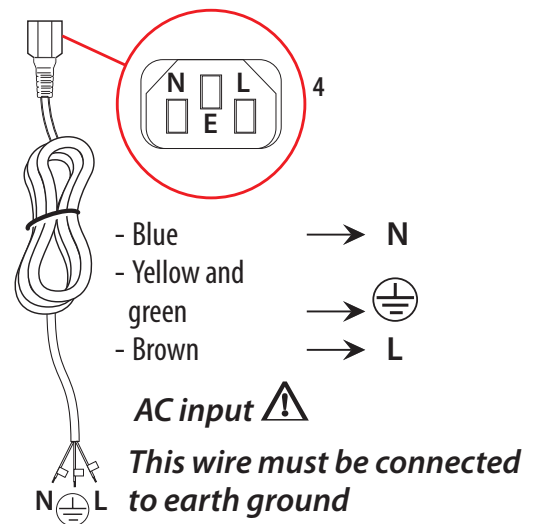
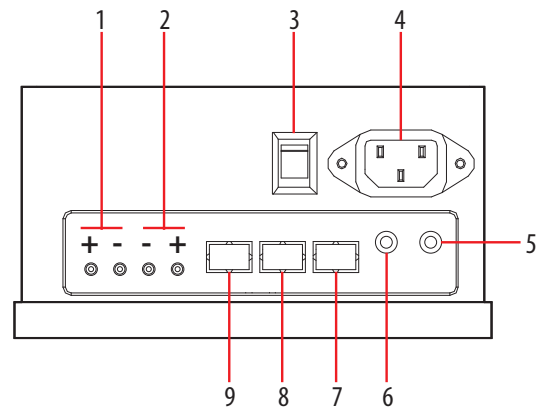
Description

D45 System auxiliary power supply. Protected against short circuit, if a DC output short cut occur, device will switch automatically to protected mode. Can be only used as additional power supply. No configuration required. Wall mount installation.

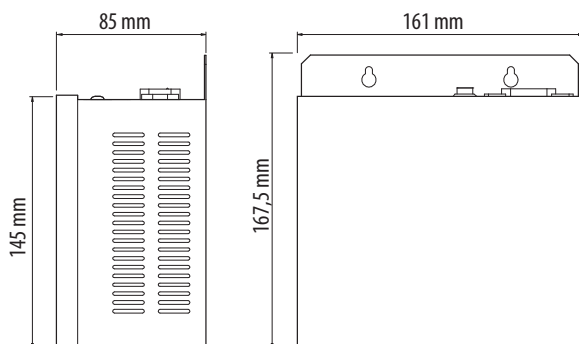
Technical data

Input voltage: 100 – 265 Vac
 Rated output voltage: 30.5 Vdc +/- 0.5 V
 Rated output current: 2 A @ 30 V
 Operating temperature: (-10)-(+40)°C

Upper view



Dimensional data



Legend

- External battery connection (optional)
- Power output connection
- ON/OFF Switch
- input power plug (100 - 265 Vac)
- Low voltage status LED: red light ON = low voltage
- Power status LED: RED light ON = power OFF
GREEN light ON = power ON
- RJ45 System BUS connector
- RJ45 System BUS + power connector
- RJ45 System BUS + power connector