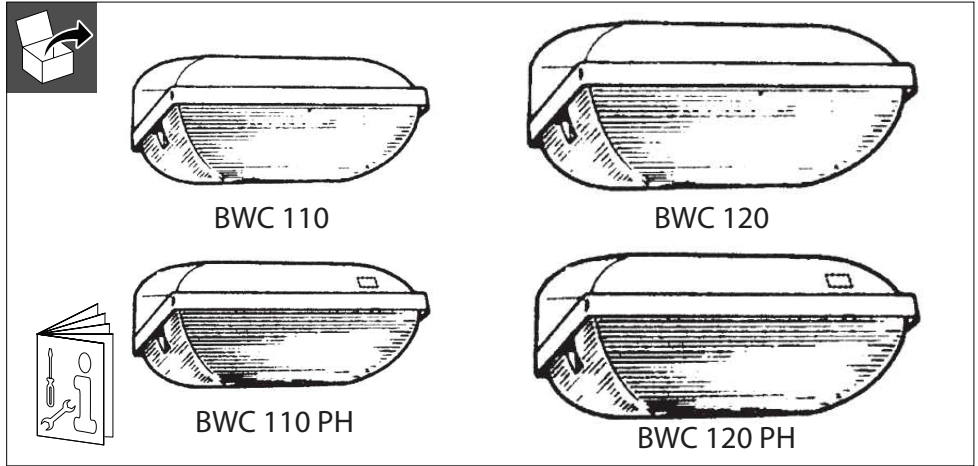


PHILIPS

Security

BWC 110, BWC 120



220 V
240 V

50Hz
60Hz



LED

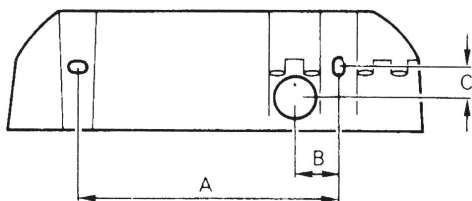
IP54



	P (W)	kg	Photocell	Colour
BWC110 LED9-/830 PSU II WH	9	0,7	-	White
BWC110 LED9-/830 PSU II WH PH			x	
BWC110 LED9-/830 PSU II BK			-	Black
BWC110 LED9-/830 PSU II BK PH			x	
BWC120 LED18-/830 PSU II WH	14	1,0	-	White
BWC120 LED18-/830 PSU II WH PH			x	
BWC120 LED18-/830 PSU II BK			-	Black
BWC120 LED18-/830 PSU II BK PH			x	

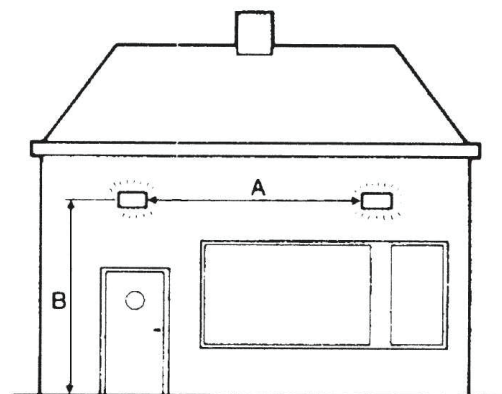
Dimensions in mm

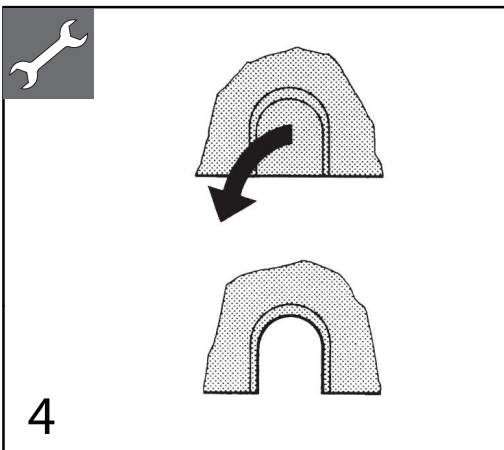
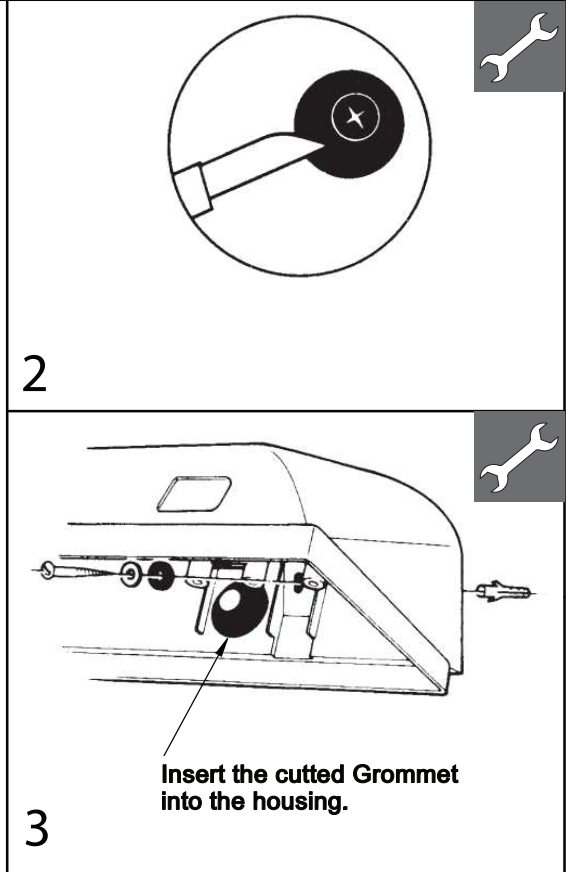
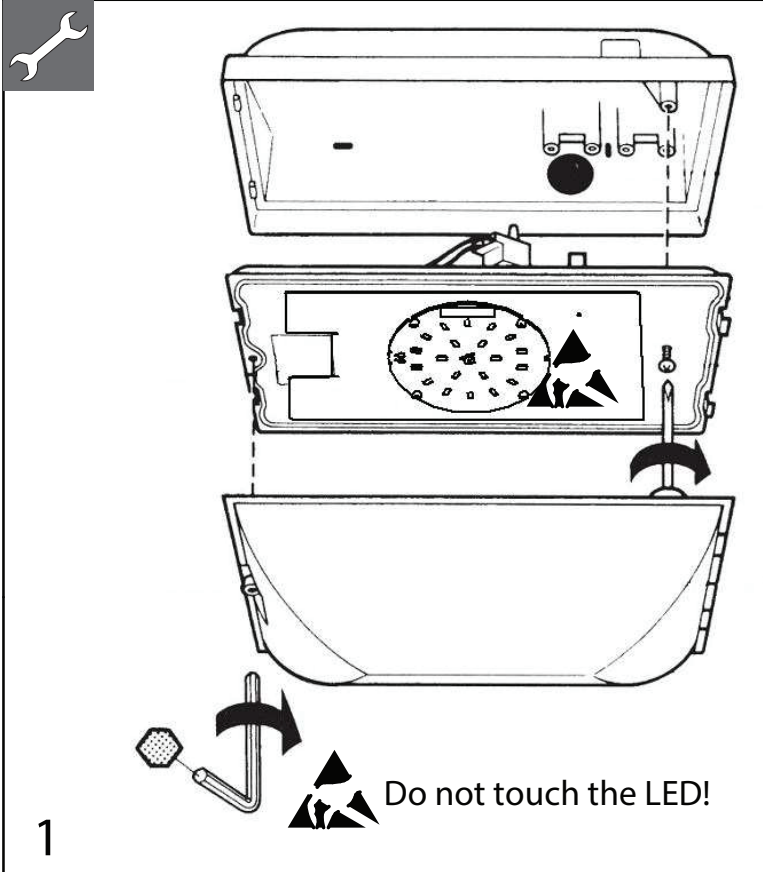
	A	B	C
BWC110	140	23	16
BWC120	170	23	10



Dimensions in mtr

	A	B
BWC110	4-7	2-3
BWC120	6-10	2,5-5





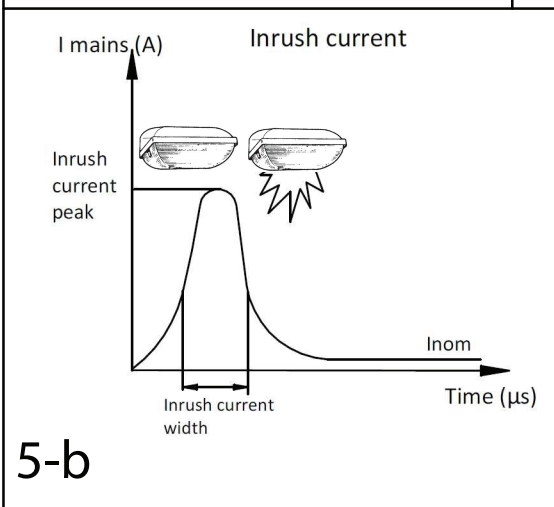
A: 0.5-2.5mm²

D: 7-12 mm

The light source contained in this luminaire shall only be replaced by the manufacturer or his service agent or a similar qualified person.

5-a

Do not touch the LED!



BWC110	
DCC 10W 250mA/U S, 122358	
Type of MCB	Max nr. of drivers
B-10A	17
B-16A	27
C-10A	28
C-16A	45

BWC120	
DC MINIJOLLY, 123400	
Type of MCB	Max nr. of drivers
B-10A	31
B-16A	50
C-10A	52
C-16A	85