

# Product Data Sheet

## GWA1502

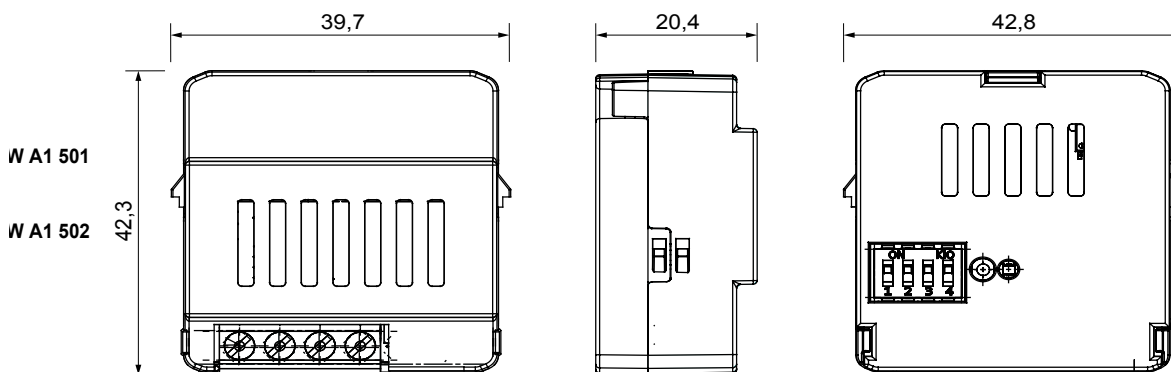
Connected SMART HOME



Wirelessly connected device with Zigbee protocol from the ChoruSmart system. It can be used with Home Gateway for "CONNECTED SMART HOME" solutions and with Smart Gateway for "HOME AND BUILDING PRO" solutions. Ideal for residential and small commercial offices, new builds and renovations. Zigbee technology is a secure and reliable technology in which data is encrypted and every node within the network ensures reachability across all devices (mesh network). This device can also be used without Home Gateway and Smart Gateway (manual configuration with dip-switch or via IoT Configurator), in which case supervision via the app is not possible.

Category	Contacts interface	Communication protocol	Zigbee (IEEE 802.15.4)
Supply voltage	230V ac - 50 Hz	Output power	8 dBm
No. input channels	2	Input voltage	230V ac
Max cable length	-	Standard	2014/53/EU, EN 60669-2-1, EN 60669-1, ETSI EN 300-328
IP degree	IP20	Working temperature	-5 ÷ +45 °C
Stocking temperature	-25 ÷ +70 °C	Relative humidity (non-condensative)	Max 93%
Dimensions LxHxD (mm)	42x40x20	Electrocod	051A

### DIMENSIONAL



### TECHNICAL SYMBOLOGY

**IP**

IP20

### STANDARDS/APPROVALS



GEWISS S.p.A. Via A. Volta, 1  
24069 Cenate Sotto - Bergamo - Italy  
tel. +39 035 94 61 11 fax +39 035 94 69 09

www.gewiss.com  
sat@gewiss.com  
Last update 20/04/2023

Data, measures, designs and pictures are shown only as informative purposes, and could be changed without previous notice