

Mini installation beacon / LED Beacon 207 LED Perm. Beacon EM 24VAC/DC RD



Part No.: 207.100.75



MECHANICAL DATA

| | |
|-----------------------------|-------------------|
| Height | 103 mm |
| Diameter | 58 mm |
| Materials | PA-GF PC |
| Dome colour | Red |
| Housing colour | Black |
| Protection category | IP65 |
| Connection | Flat plug |
| Type of fixing | Built-in mounting |
| Working temperature minimum | -20°C |
| Working temperature maximum | +50°C |
| Weight with packaging | 77 g |
| Product weight | 55 g |

ELECTRICAL DATA

| | |
|-----------------------------|---------------------------|
| Operating voltage | 24V |
| Operating voltage type | AC/DC |
| Operating voltage frequency | 50Hz |
| Operating voltage tolerance | +/- 10% |
| Rated operational voltage | 24 VDC |
| Rated operational current | 45 mA |
| Rated inrush current | 500 mA |
| Protection class | Protection class 2 |
| Pollution degree | 3 |
| | In the connection area: 2 |

OPTICAL DATA

| | |
|----------------------|-------------------|
| Light source | LED |
| Light colour | Red |
| Optical signal image | Permanent |
| Service life optical | 100,000 h maximum |

APPROVAL DATA

| | |
|------------------------------|---------|
| Conforms with CE | Yes |
| Conforms with RoHS directive | Yes |
| WEEE | Yes |
| Conforms with ATEX-directive | No |
| Conforms with CCC | No |
| Conforms with UL | cULus |
| UL Type Rating | Type 12 |



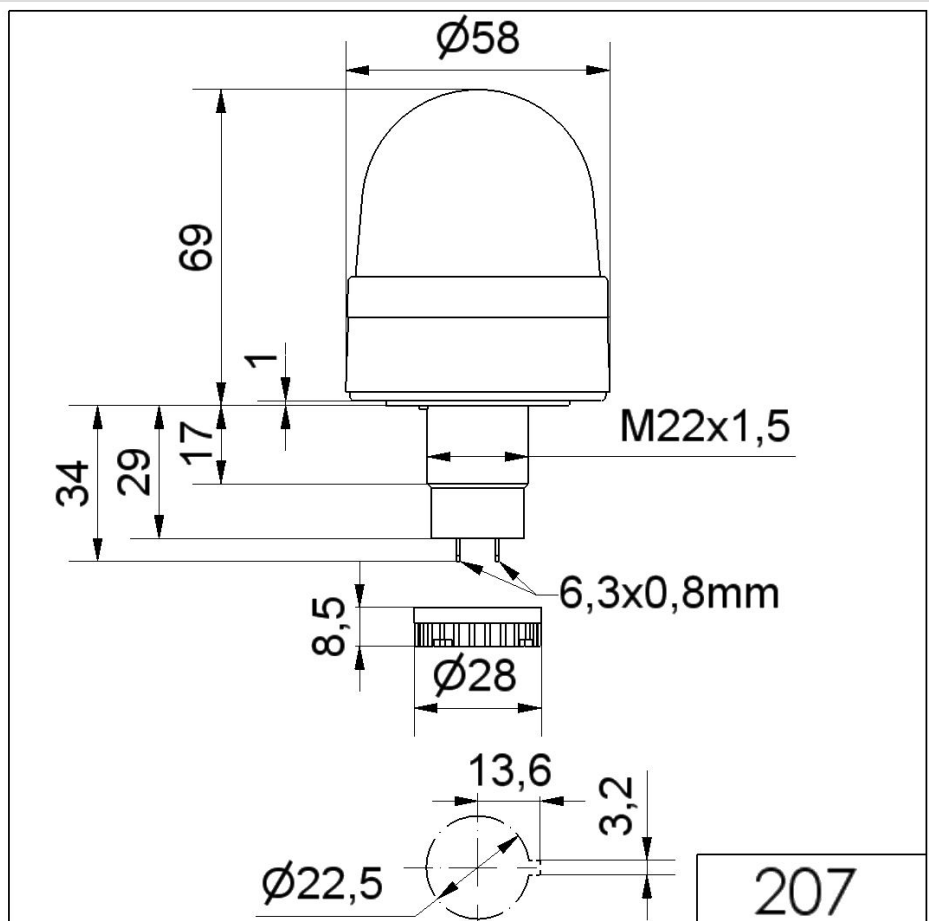
For additional installation and mounting information, refer to the appropriate user guide at www.werma.com. This printed copy is for information only and is subject to alteration.

Mini installation beacon / LED Beacon 207

LED Perm. Beacon EM 24VAC/DC RD

| | |
|-------------------------------|-----------------------|
| Conforms with FCC | No |
| Conforms with IC | No |
| EAC certificate available | Yes |
| Conforms with UKCA (Importer) | Yes (WERMA (UK) Ltd.) |
| Conforms with AS-I | No |
| ICAO Certification | No |
| Conforms with DNV | No |
| Conforms with RoHS CN | No |
| Conforms with VdS | No |

DRAWING



! For additional installation and mounting information, refer to the appropriate user guide at www.werma.com. This printed copy is for information only and is subject to alteration.