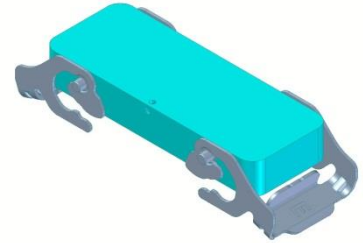


70250255	DATA SHEET	
Valid from: 17.09.2018	EPIC® ULTRA PROTECTIVE COVER FOR H-B	

Description

Protective cover made of thermoplastics for H-B 10/16/24 housing
For hoods



Performance

Version	TG/TS
EPIC® ULTRA H-B 10	70250255 with transverse clamp
EPIC® ULTRA H-B 16	70250256 with transverse clamp
EPIC® ULTRA H-B 24	70250257 with transverse clamp
Bolts	4
Locking levers	4 snap-in hooks

General Characteristics

Series	ULTRA EPIC H-B 10 / 16 / 24
Locking	Bolts with transverse clamps
Protection	Latched with EPIC ULTRA housing IP 69
Temperature Range	-40°C to +100°C

Materials

Protective cover	Plastic POM, blue
Bolt	Stainless steel
Clamp	Stainless steel



Corrosion-resistant



Robust



Water proof

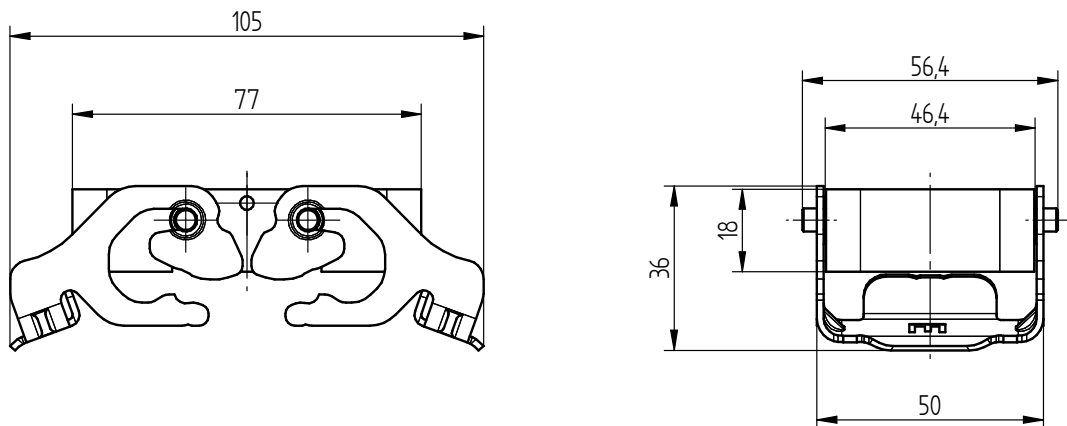
Remark

Photographs are not to scale and do not represent detailed images of the respective products.

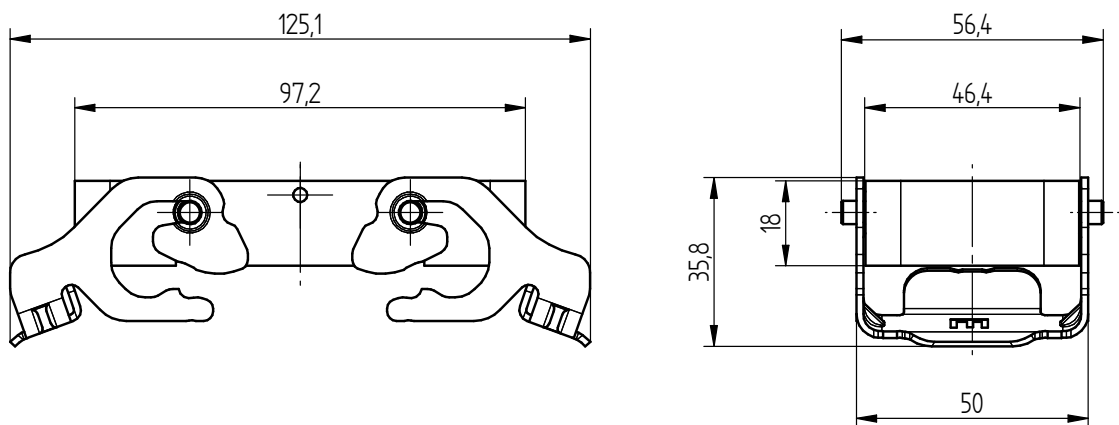
Creator: MANA2/PDP Released: IVSE1/PDP	Document: DB70250255EN Version: 04	Page 1 of 2
---	---------------------------------------	-------------

70250255	DATA SHEET	
Valid from: 17.09.2018	EPIC® ULTRA PROTECTIVE COVER FOR H-B	

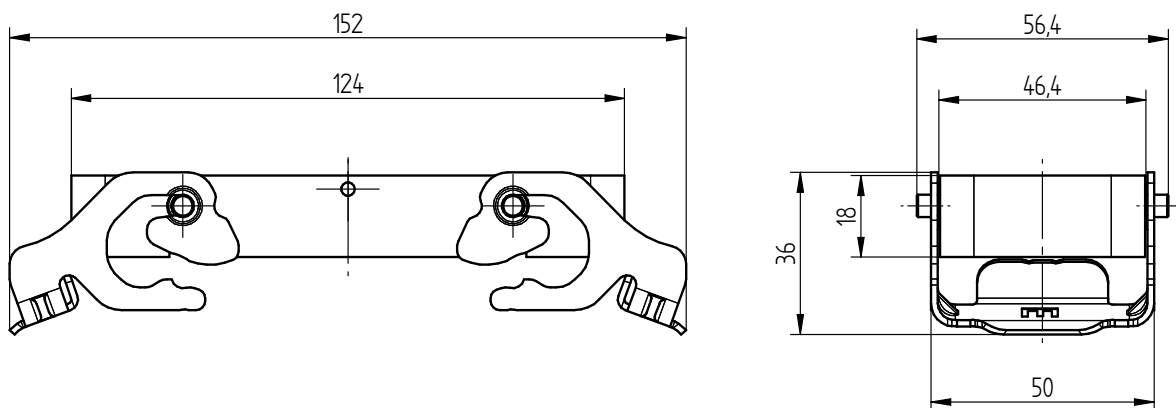
EPIC® H-B 10



EPIC® H-B 16



EPIC® H-B 24



Creator: MANA2/PDP Released: IVSE1/PDP	Document: DB70250255EN Version: 04	Page 2 of 2
---	---------------------------------------	-------------