

Presence detector, KNX®, 4 channels, 24 m, IP54, for surface mounting, white

350-41731

4 year warranty

Presence detector with daylight control, 360°, KNX®, for surface-mounting on ceilings. It can be easily mounted with sufficient cabling space and easily accessible terminals. Adjustable as standalone, master or secondary. To increase the detection range, a detector set as a master can be combined with one or more detectors set as secondary detectors. The presence detector has a large detection range of 24 m from a height of 3 m. You can quickly and easily set the parameters and functions of the detector using the ETS software. You can choose from different configuration methods with a decreasing degree of pre-programming: Basic, Optimisation or Advanced. For use in offices, conference rooms, corridors, hospitals ... The detector has 4 individual zones, of which 1 to 3 are daylight controlled and 1 extra zone for separate on/off control. Suitable for KNX® bus system and can be combined with other KNX® components. With the (optional) IR remote control you can modify the local settings of the lux level, the lighting scenes, the switch-off delay, the orientation lighting, the sensitivity, the choice between automatic or manual calibration, the programming of the lighting scenes, the switch-off delay, the orientation lighting, the sensitivity ... When a push button is used, you can manually switch on and off all lights (or only 1 zone), dim, activate lighting scenes, ...

Finishing colour: white

Compatible secondary detectors: 350-41731

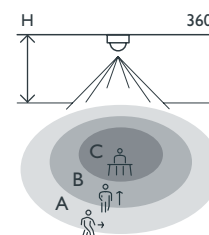
- Easy to mount with enough space for the cabling and clamps easily accessible.
- Adjustable as self-standing, master or secondary detector. To increase the detection range, you can combine a detector configured as a master with one or more detectors configured as secondary detectors.
- Large detection range from 24 m to 3m in height
- Fast and easy to set the parameters and functions using the ETS software
- Choice of different methods of configuring the increasing degree of pre-programming: basic, optimisation or advanced.

For use in offices, meeting rooms, corridors, hospitals, etc.

- The detector has four different zones, one to three of which are daylight control and one additional zone for different activation/disabling.
- Compatible with the KNX bus system and can be combined with other KNX components.
- The (optional) IR remote control allows you to modify the local settings of the lux level, the switch-off delay, the orientation lighting, the sensitivity, the choice between automatic or manual calibration, the scene programming, the switch-off delay, the orientation lighting, the sensitivity, etc.
- If a push button is used, you have the option of turning (all the lights or just one zone) on and off manually, dim the intensity, activate scenes, etc.



Detection range



| H | A Across | B Towards | C Presence |
|-------|-------------|--------------|---------------|
| 2 m | ∅ 16 m | ∅ 10 m | ∅ 4 m |
| 2.5 m | ∅ 20 m | ∅ 12 m | ∅ 5 m |
| 3 m | ∅ 24 m | ∅ 14 m | ∅ 6 m |



niko

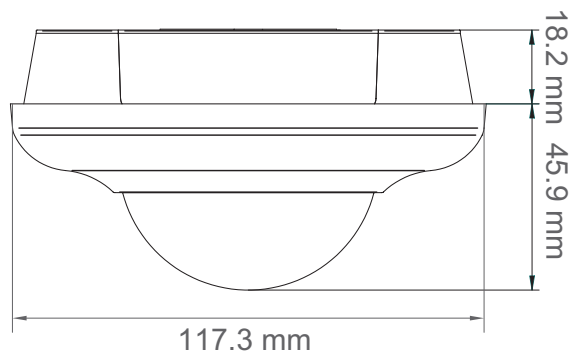
Technical data

| | |
|--------------------------------|-----------------------------|
| Article number | 350-41731 |
| Compatible secondary detectors | 350-41731 |
| Input voltage | 30 Vdc via KNX®-bus |
| Detector output | KNX® |
| Maximum current consumption | 10 mA |
| Light intensity range | 10 lux – 2000 lux |
| Number of channels | 4 channels |
| Switch-off delay | 1 s – 255 h |
| Detection angle | 360 ° |
| Detection range (PIR) | ø 24 m from a height of 3 m |
| Ambient temperature | -5 – +50 °C |
| Mounting method | surface mounting |
| Mounting height | 2 – 3.4 m |
| Dimensions (HxWxD) | 117.3 x 117.3 x 64.1 mm |
| Protection degree | IP54 |
| Marking | CE |

Accessories

350-41930 IR-remote control for KNX® detector 360°

Dimensions



Wiring diagram

