

Product Data Sheet

GW21214

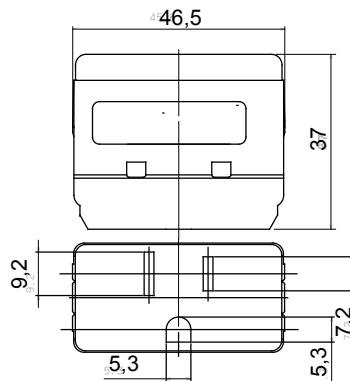
SYSTEM BLACK - Domestic range



The System modular devices allow the creation of an infinite combination of devices and plates, thanks to a complete range that covers all design, functional and installation needs. Colours and finishes: bright and versatile glossy white, and elegant and classy satin black. Ideal for flush-mounted solutions (for rectangular or square boxes), surface-mounted solutions and special applications. The range includes control units, socket-outlets, breakers, indicators, connectors and devices for the control, safety and comfort of the home.

Category	Socket-Outlet	Colour	Black
Standard	USA	No. SYSTEM modules	1
For plug pins	Flat	Shape	Parallel horizontal
Description	2P+E - 15A 125V ac	Wiring terminals	Screw-on terminals
Voltage	250/125V AC	Electrocod	0131

DIMENSIONAL



STANDARDS/APPROVALS

