

# Motion detector, 24 V, 15 m, 90°, incl. twilight switch 3-300 lux, for surface mounting, white

**350-30010**

4 year warranty

This motion detector is used in combination with the daylight control module 360-35010 for switching lighting. It is equipped with an integrated light sensor and has a detection range of 15 m within a detection angle of 90°. This motion detector has an IP20 protection degree and is suitable for indoor applications. In combination with the IP54 protection cap, 390-20010, this photo cell is also suitable for outdoor applications.

Finishing colour: white

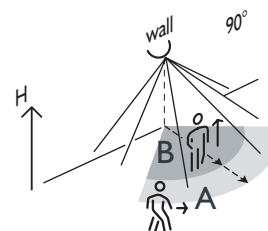
- Sustainable, functional, compact
- Simple installation
- Energy saving
- Up to eight sensors per module
- Adjustable sensitivity
- With an integrated light sensor.
- Can be combined with Niko Home Control

Motion detector for use in corridors, stairwells, small offices, etc.

- The motion detector operates using passive infrared (PIR) technology and reacts to changes in temperature and to body motion.
- The motion detector is ready to be used three to five minutes after being connected to the mains voltage (warm up time).
- Clamps are provided for mounting on walls and ceilings.
- To be used in combination with the daylight control module (360-35010) for indoor lighting control. In this case, the lighting turns on automatically when the daylight level passes below the programmed lux value and motion is detected in the detection area.
- Also suitable for outdoor use. In this case, a protective cap (to be ordered separately) is used to make the motion detector splashproof (IP54 protection degree).
- Connection possible to Niko Home Control via the potential-free digital sensor module (550-00210).



## Detection range



H	A Across	B Towards
2 m	15 m	7.5 m



24V



90°



15 m from  
a height of  
2 m



2 m



surface  
mounting

**niko**

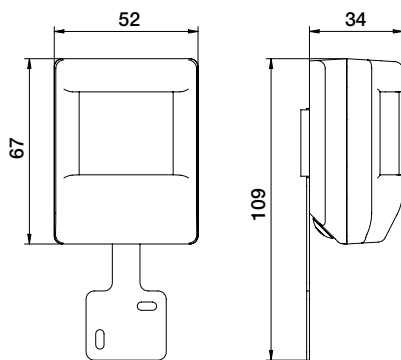
## Technical data

Article number	350-30010
Input voltage	24 Vdc $\pm$ 10 %
Detector output	24 V (ON/OFF)
Light intensity range	3 lux – 300 lux
Number of channels	1 channel
Detection angle	90 °
Detection range (PIR)	15 m from a height of 2 m
Ambient temperature	-20 – +50 °C
Mounting method	surface mounting
Mounting height	2 m
Dimensions (HxWxD)	67 x 52 x 34 mm
Protection degree	IP20
Marking	CE

## Accessories

390-20010	IP54 protection cap for motion detector
390-20000	Vandalproof protection cap, wall mounting

## Dimensions



## Wiring diagram

