

Essentia Intelligent DIN-Rail Switch Monitor EME214-I

Instruction Sheet
R10124GB1



Schneider Electric Fire & Security Oy

Sokerilinnantie 11 C
FI-02600 Espoo, Finland
Tel: +358 10 446 511
Website: www.se.com
Document number: R10124GB11
Published: 08.10.2020

© 2020 – Schneider Electric. All Rights Reserved. This information is only to be used as guidance. Subject to changes and errors.

Contents

1	Essentia Intelligent DIN-rail Switch Monitor EME214-I	4
1.1	Status indications	4
1.2	Dimensions	4
1.3	Essentia intelligent DIN-rail switch monitor standard resistive monitoring mode connectivity diagram	5

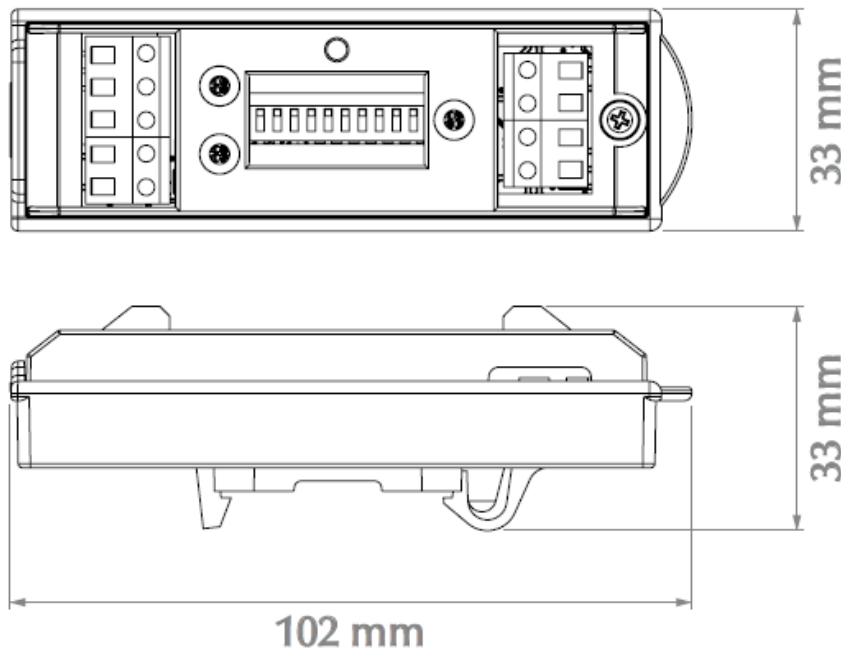
1 Essentia Intelligent DIN-rail Switch Monitor EME214-I

The Essentia intelligent DIN-rail switch monitor EME214-I (FFS06720314 and FFS06720314SA) with isolator provides supervision of normally open contacts connected to a single pair of cables. It has selectable status reporting delay making it suitable for monitoring flow switches. There is a DIL switch for address setting. Address range is 1-126.

1.1 Status indications

Legend	LED Status	Description
Poll/ISOL	Flashing Green	Polling LED
Poll/ISOL	Continuous Yellow	Isolator LED
I/P	Continuous Yellow	Input Fault
I/P	Continuous Red	Input Active

1.2 Dimensions



1.3 Essentia intelligent DIN-rail switch monitor standard resistive monitoring mode connectivity diagram

