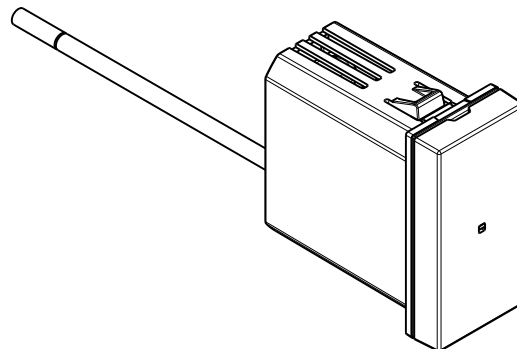


Classia  
**Connected socket module**

**RW4531C - RA4531C - RG4531C**



**Use**

The connected socket module, wiring to a power outlet, allows to remotely control appliances and check the consumption (instantaneous, daily, monthly). It is also possible to receive notifications in case of anomalous consumption. The connected socket module is compatible with any device electric and large appliances up to 16A, 3680W max (protected against overloads). It is equipped with a LED light lit in blue when it is on. This option can be enabled or disabled in the "Home+Control" app. It can be associated with "wireless light switches". - 1 module.

**Range**

Designation	Cat. Nos.
Connected socket module.	<input type="checkbox"/> RW4531C
Equipped with an LED indicator.	<input type="checkbox"/> RA4531C
Hidden reset button used to return to factory settings.	<input checked="" type="checkbox"/> RG4531C

Colours code:

- White
- Aluminum
- Black

**Connection**

Terminal type: screw  
 Terminal capacity: 2 x 2.5 mm<sup>2</sup>  
 Stripping length: 7 mm  
 Screwdriver: 3 mm flat

**Technical characteristics**

**- Mechanical characteristics**

Protection against impacts: IK 04  
 Protection against solid bodies/liquids: IP 20

**- Material characteristics**

Mechanism casing: PC

Halogen-free

UV resistant

Self-extinguishing: + 850°C/30 s for insulating parts holding live parts in place.  
 + 650°C/30 s for the other insulating components.

**- Electrical characteristics**

Voltage: 100/240 V~  
 Current: 16 A  
 Frequency: 50/60 Hz  
 Power: 240 Vac - 3840 cosφ 0,8  
 Standby consumption: 1 mA  
**Zigbee technology** 2.4 GHz to 2.4835 GHz  
 Power level: REC 70-03: < 20 dBm  
 Range: 200 m of unobstructed space  
 10 m between products

**- Climate characteristics**

Storage temperature: 0°C to +45°C  
 Usage temperature: +5°C to +45°C

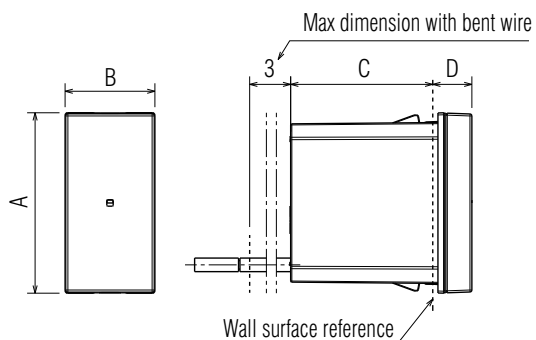
**Standards and approvals**

Compliant with installation and manufacturing standards.  
 See e-catalogue.

The undersigned, BTICINO, declares that the radio-electric equipment type (RW-RA-RG4531C) complies with directive 2014/53/EU.

The full text of the EU declaration of conformity is available on the following website: [www.bticino.it/red](http://www.bticino.it/red)

**Overall dimensions (mm)**



A	B	C	D
45,1	22,5	36	9,8

**Cleaning**

Clean the surface with a cloth.  
 Do not use acetone, tar-removing cleaning agents or trichloroethylene.

**Caution: Always test before using special cleaning products.**

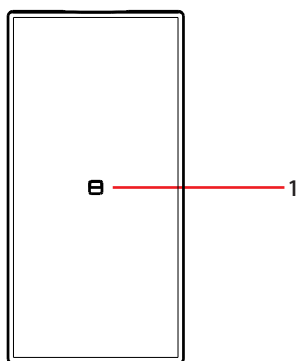
The plates must not be painted.



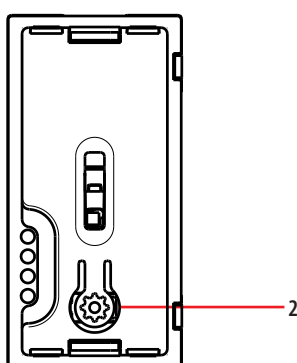
RAEE/WEEE: [bticino.com/disposal](http://bticino.com/disposal)

**Operation**

Front view



Front view without coverkey



**Legend**

1. LED indicator: useful during installation
2. RESET button: used to return to factory settings