


10423201	DATA SHEET	
Valid from: 17.09.2018	EPIC® ULTRA H-A 3 MTS M20	

Description

- EMC protection
- Corrosion-resistant
- Protection rating UL50E tested
- All-purpose due to high corrosion resistance and high environmental protection



General characteristics

Series	ULTRA H-A 3
Version	Hood M20
Locking mechanism	bolts for single lever
Cable entry	lateral
Thread	M20x1.5
Protection (DIN EN 60529)	IP 65 (latched)
Protection (NEMA 250, UL50E)	4, 4X, 12 (latched)
Temperature range	-40°C to +100°C, short-term up to +125°C
Holding screws for inserts included	yes

Materials and surfaces

Housing, base material	Zinc die-casting
Housing, surface	Nickel-plated
Lever	Stainless steel
Holding screws for inserts	Stainless steel


Approvals

VDE-Approval, VDE-REG.-Nr.	B437
----------------------------	------

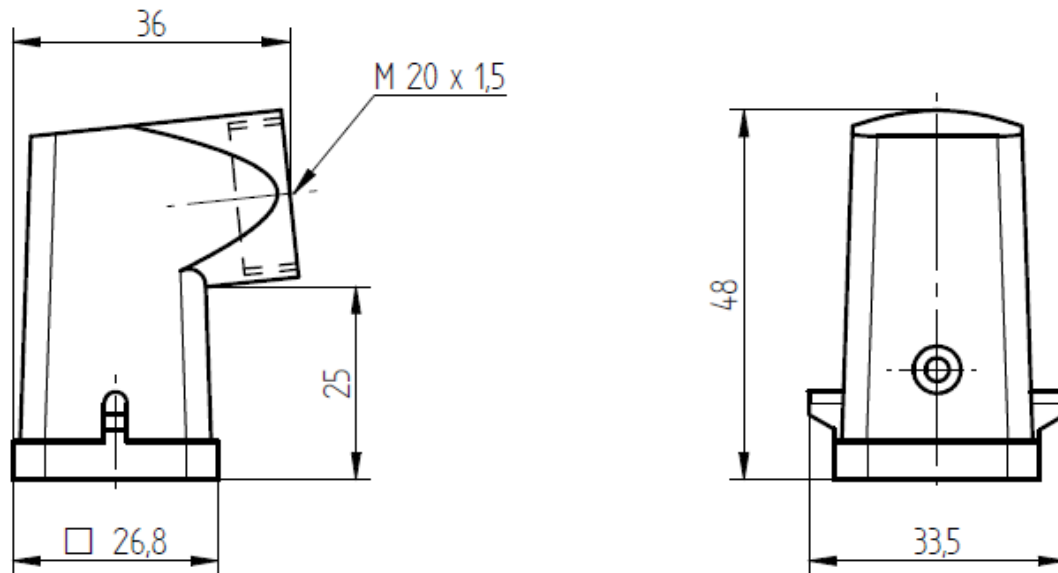
Standards

Safety Standard	IEC 61984
-----------------	-----------

Creator: MANA2/PDP Released: IVSE1/PDP	Document: DB10423201EN Version: 01	Page 1 of 2
---	---------------------------------------	-------------

10423201	DATA SHEET	
Valid from: 17.09.2018	EPIC® ULTRA H-A 3 MTS M20	

Drawings



Remark

Photographs are not to scale and do not represent detailed images of the respective products.

Creator: MANA2/PDP Released: IVSE1/PDP	Document: DB10423201EN Version: 01	Page 2 of 2
---	---------------------------------------	-------------