


22262022	DATA SHEET	
Valid from: 16.12.2019	AB-C4-DSI-M12FSD-M12FSD-M16-SH	

Description

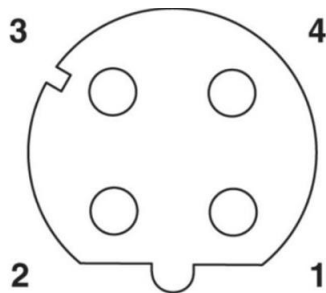
S/A panel feed-through, 4-pins, M12, D-coded, shielded,
Jack to jack, bipolar / screw mounting with M16 thread



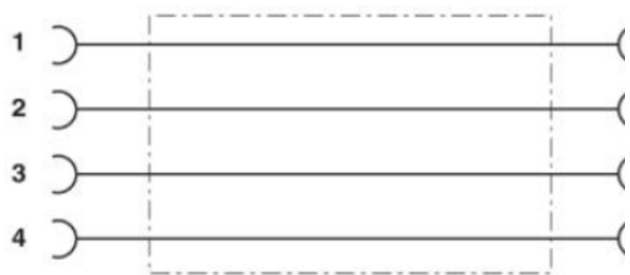
General characteristics

Coding	A-standard
Number of pins	4
Ambient temperature	-25 to +85 °C (-13°F to 185°F) (operation)
Degree of protection	IP 67
Overvoltage category	II
Degree of pollution	3

Pin assignment



schematic drawing
jack M12, 4-pole, D-coded



circuit diagram
pin assignment of M12 jacks

Mechanical properties

Contact carrier, material	PA 66
Contact, material	CuZn
Contact surface, material	Au
Knurl, material	brass, nickel-plated
Seal, material	NBR
Mating cycles (min.)	100


Electrical properties

Rated voltage	60 V
Rated current	4 A
Contact resistance (max.)	3 mΩ
Insulation resistance (min.)	100MΩ

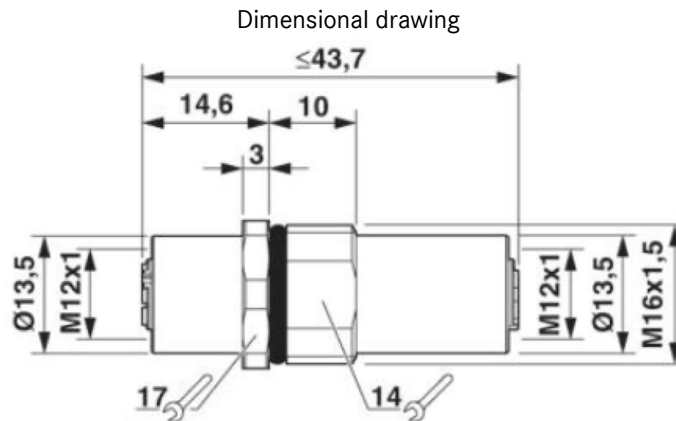
Standards / Approvals

Product standard, M12 connector	IEC 61076-2-101
---------------------------------	-----------------

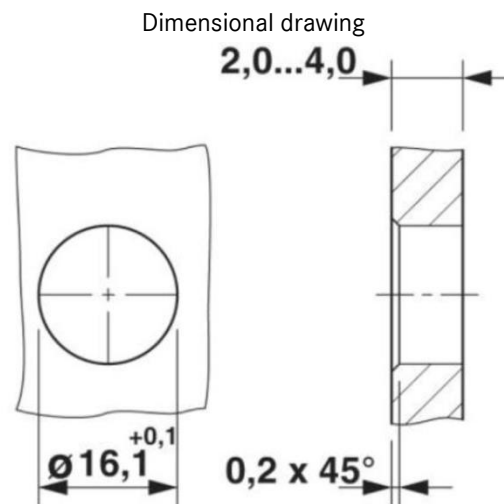
Creator: FELI1/PDP Released: IVSE1/PDP	Document: DB22262022EN Version: 00	Page 1 of 2
---	---------------------------------------	-------------

22262022	DATA SHEET	
Valid from: 16.12.2019	AB-C4-DSI-M12FSD-M12FSD-M16-SH	

Technical drawing



Panel feed-through, double sided M12-connection



Panel cut-out

Application range

Automation, industrial machinery and plant engineering

Note

Photographs are not true to scale and do not represent detailed images of the respective products.

Creator: FELI1/PDP Released: IVSE1/PDP	Document: DB22262022EN Version: 00	Page 2 of 2
---	---------------------------------------	-------------