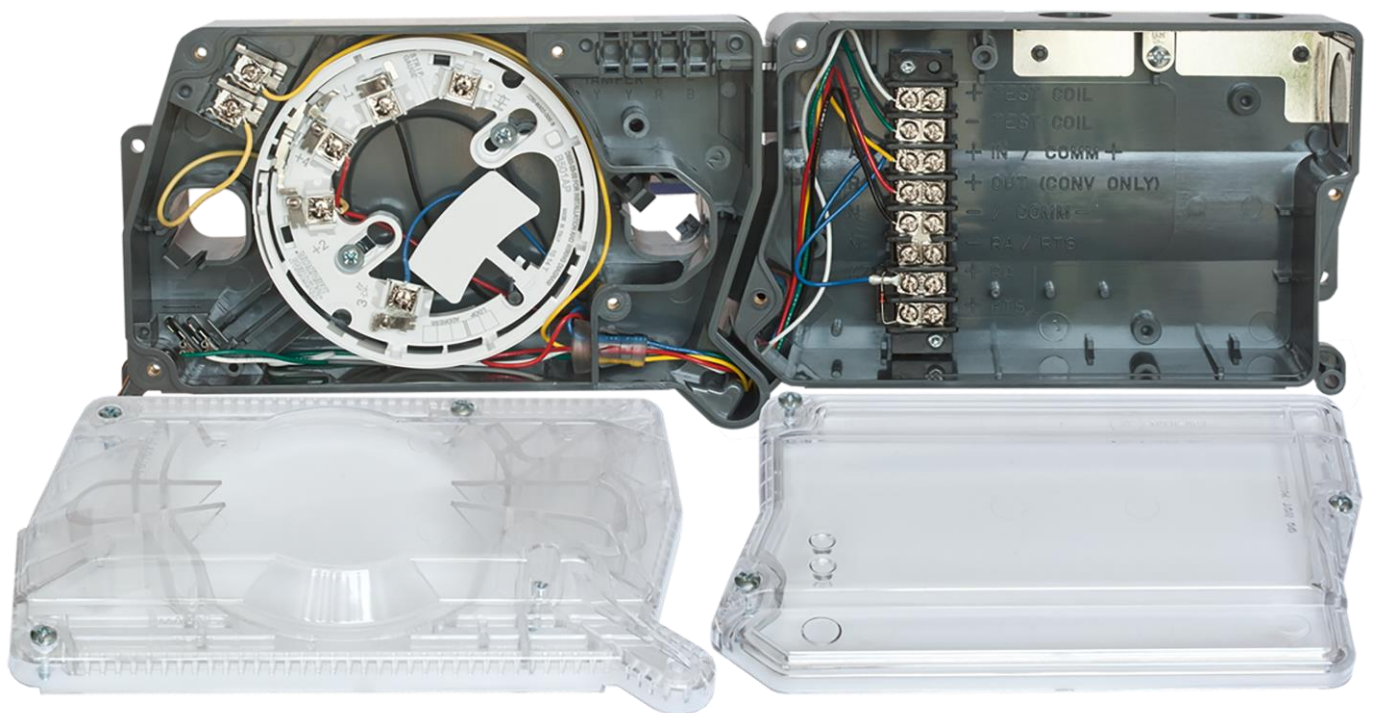


Intelligent Duct Detector Housing DNRE and Sampling Tubes

Instruction Sheet
R10052GB1



Schneider Electric Fire & Security Oy

Sokerilinnantie 11 C
FI-02600 Espoo, Finland
Tel: +358 10 446 511
Website: www.se.com
Document number: 1
Published: 18.04.2019

© 2020 – Schneider Electric. All Rights Reserved. This information is only to be used as guidance. Subject to changes and errors.

Contents

1	Intelligent Duct Detector Housing DNRE	4
1.1	Pivot housing.....	4
1.2	Connections	5
1.3	DNRE housing construction	5
1.4	Product Codes	6

1 Intelligent Duct Detector Housing DNRE

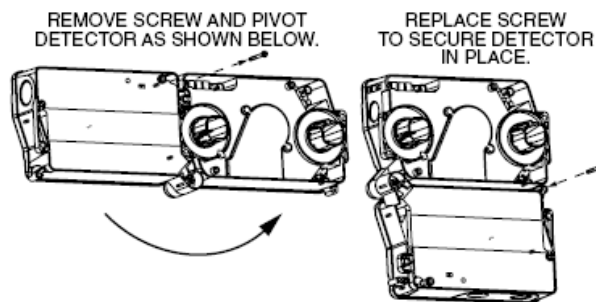
The DNRE duct detector housing is used together with AP200-series intelligent smoke detectors.

An improved cover design isolates the sensor head from the low-flow feature for simple maintenance. A cover tamper feature was added to indicate a trouble signal for a removed or improperly installed sensor cover. The housing provides a 20 mm conduit knockout and ample space to facilitate easy wiring and mounting of relay module.

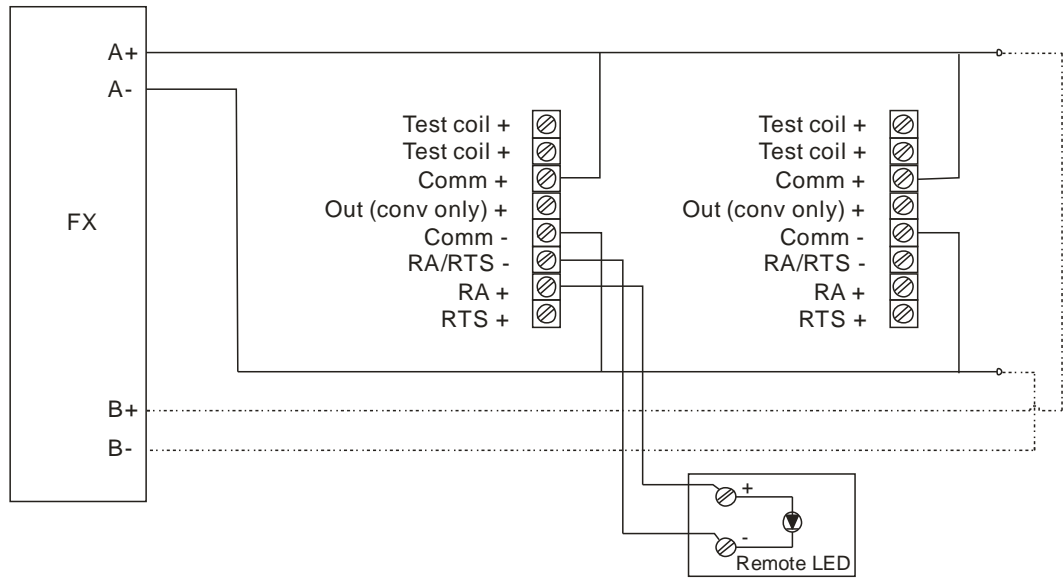
The DNRE together with an AP200-series smoke detector is compatible the LC loop interface of the Esmi Sense FDP or FX 3NET fire detection system.

1.1 Pivot housing

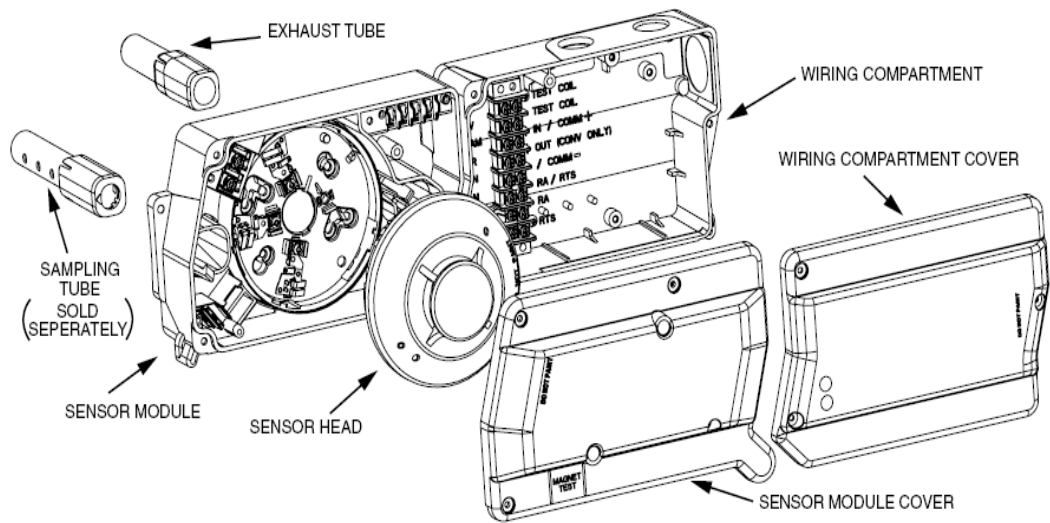
The DNRE duct detector features a pivoting housing that fits both square and rectangular footprints capable of mounting to a round or rectangular duct.



1.2 Connections



1.3 DNRE housing construction



1.4 Product Codes

Product	Description	Code
DNRE	Intelligent Duct Detector Housing	FFS06716421
Sampling Tubes	Description	Code
DST1	Sampling Tube for 30 cm Duct	FFS06716412
DST1.5	Sampling Tube for 30-61 cm Duct	FFS06716413
DST3	Sampling Tube for 61-122 cm Duct	FFS06716414
DST5	Sampling Tube for 122-244 cm Duct	FFS06716415
DST10	Sampling Tube for 244-360 cm Duct	FFS06716416