

## KS 8.10 8.10 FL30 ZP CU (319 207)

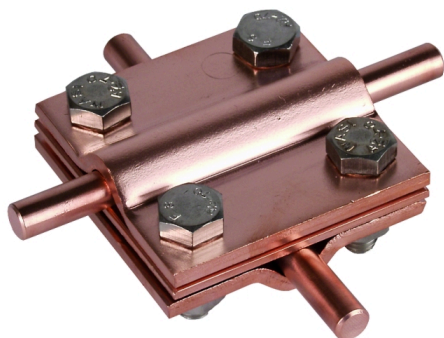
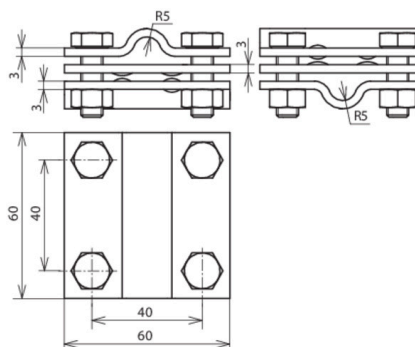


Figure without obligation



Type	KS 8.10 8.10 FL30 ZP CU
Part No.	319 207
Material of clamp	Cu
Clamping range Rd / Rd	8-10 / 8-10 mm
Clamping range Rd / FI	8-10 / 30 mm
Clamping range FI / FI	30 / 30 mm
Clamping range (stranded / cable)	50-70 mm <sup>2</sup>
Screw	⚙ M8 x 25 mm
Material of screw / nut	StSt (V4A)
Material No.	1.4571 / 1.4404 / 1.4401
Dimensions	60 x 60 x 3 mm
Intermediate plate	yes
Lightning current carrying capability (10/350 μs)	<sup>*)</sup>
Standard	EN 62561-1
Short-circuit current (AC 50 Hz / DC) (1 s; ≤ 300 °C)	29 kA
Weight	349 g
Customs tariff number	85389099
GTIN	4013364020047
PU	25 Stk

<sup>\*)</sup> See test certificate for exact classification.

We reserve the right to introduce changes in performance, configuration and technology, dimensions, weights and materials in the course of technical progress. The figures are shown without obligation.