


22260030	DATA SHEET	
Valid from: 17.09.2018	AB-B8-M8L-8-5,0PUR	

Description

- Sensor / actuator distribution box with LEDs
- Connection method: M8-jack, A-standard
- Slots: 8



General characteristics

Connection method, trunk cable	fix termination
Connection method, sensor / actuator	M8-jack, A-standard
Number of slots	8
Number of pins	3
Ambient temperature	-30 to +80 °C (-22°F to 176°F) (connector) -40 to +90 °C (-40°F to 194°F) (cable fixed installation) -5 to +80 °C (23°F to 176°F) (cable flexible)
Degree of protection	IP65 / IP67
Local diagnosis	LED green (Supply voltage) LED yellow (Status indicator I / O)


Variation

Material	Description	Length
22260030	AB-B8-M8L-8-5,0PUR	5 m
22260031	AB-B8-M8L-8-10,0PUR	10 m

Electrical properties

Rated voltage	24 VDC
Current load ability per I / O signal	2 A
Total current	6 A

Creator: ERTC1/PDP Released: IVSE1/PDP	Document: DB22260030EN Version: 04	Page 1 of 3
---	---------------------------------------	-------------

22260030	DATA SHEET	
Valid from: 17.09.2018	AB-B8-M8L-8-5,0PUR	

Mechanical properties

S/A-Box

Inflammability class according to UL 94	V0
Housing	PBT
Potting compound	PUR
Contact	CuSn
Contact surface	Ni / Au
Contact carrier	PA
Threaded sleeve	Cu alloy
Threaded sleeve surface	Nickel plated
Seal	NBR
Tightening torque slot s/a cable	0.2 Nm

Line

Cable construction	8x AWG22/19 (data line) 2x AWG18/42 (power supply)
Conductor diameter including isolation	1.3 mm ±0.1 mm (signal line) 1.8 mm ±0.1 mm (power line)
Cable outer diameter	7.9 mm ±0.2 mm
Sheath colour	Black RAL 9005
Bending radius	79 mm
Number of bending cycle	1500000
Traveling distance	2 m
Travel speed	2 m/s
Cable weight	92 kg/km
Outer coating, material	PUR
Material wire insulation	PVC
Flame resistance	DIN EN 50265
Oil resistance	acc. VDE 0472 part 803

Connector pin assignment


Slot / pol = colour or connection	1 / 4 (A) = WH 2 / 4 (A) = GN 3 / 4 (A) = YE 4 / 4 (A) = GY 5 / 4 (A) = PK 6 / 4 (A) = RD 7 / 4 (A) = BK 8 / 4 (A) = VT 1-8 / 1 (+ 24 V) = BN 1-8 / 3 (0 V) = BU
-----------------------------------	---

Standards / Approvals

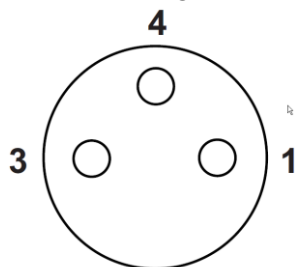
Product standard, M8 connector	IEC 61076-2-104
--------------------------------	-----------------

Technical drawing

Creator: ERTC1/PDP Released: IVSE1/PDP	Document: DB22260030EN Version: 04	Page 2 of 3
---	---------------------------------------	-------------

22260030	DATA SHEET	
Valid from: 17.09.2018	AB-B8-M8L-8-5,0PUR	

Drawing

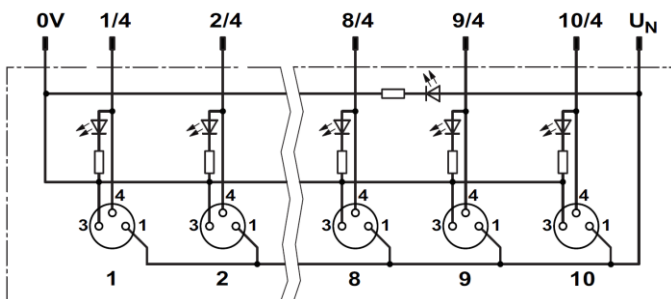


M8-jack, 3-pol, slot 1-8

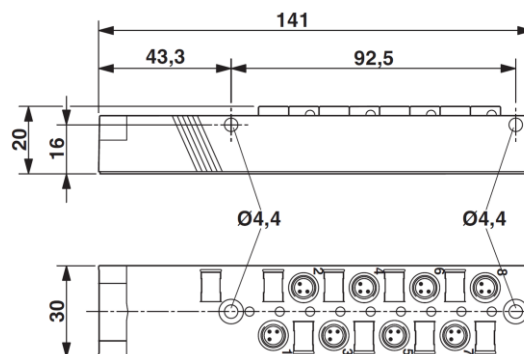
Wire cross section



Circuit diagram



Dimensional drawing



Application range

Automation, industrial machinery and plant engineering

Note

Photographs are not true to scale and do not represent detailed images of the respective products.

Creator: ERTC1/PDP Released: IVSE1/PDP	Document: DB22260030EN Version: 04	Page 3 of 3
---	---------------------------------------	-------------