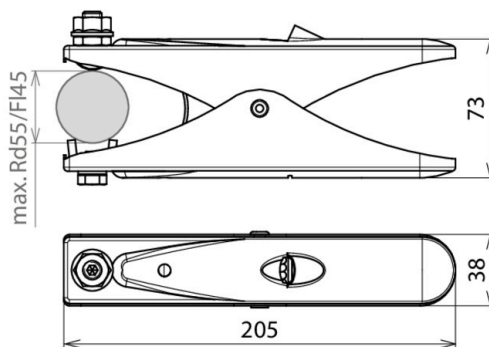


**EZ 55 FL45 ASM10 V2A (546 001)**



Figure without obligation



Type	EZ 55 FL45 ASM10 V2A
Part No.	546 001
Material of tongs	StSt
Clamping range Rd / FI	up to Ø55 / up to 45 mm
Length	205 mm
Connection nut	M10
Material of screw	StSt
Weight	446 g
Customs tariff number	85359000
GTIN	4013364019973
PU	1 Stk

We reserve the right to introduce changes in performance, configuration and technology, dimensions, weights and materials in the course of technical progress. The figures are shown without obligation.