

Mounting Base B501AP

Instruction Sheet
R10134GB0



Schneider Electric Fire & Security Oy

Sokerilinnantie 11 C
FI-02600 Espoo, Finland
Tel: +358 10 446 511
Website: www.schneider-electric.com
Document number: R10134GB0
Published: 13.05.2019

© 2018 – Schneider Electric. All Rights Reserved. This information is only to be used as guidance. Subject to changes and errors.

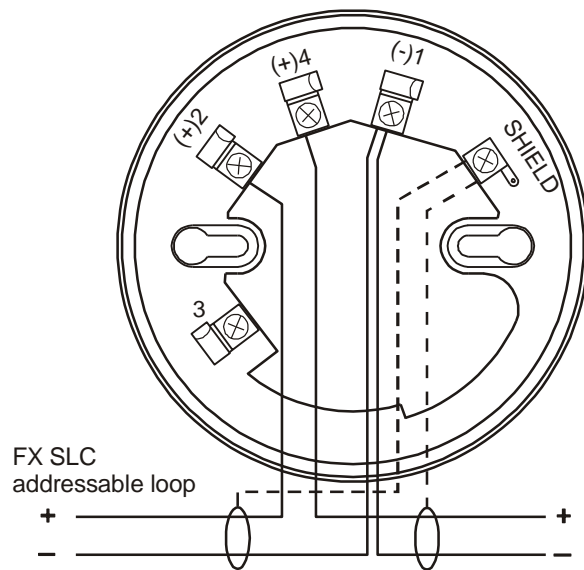
Contents

1	Mounting Base B501AP	4
1.1	Electrical installation, Base B501AP	4
1.2	Mechanical installation	4
1.2.1	Bases/IP rating	4
1.2.2	Mounting	5
1.2.3	Anti tamper lock	6
1.3	Product Codes	6

1 Mounting Base B501AP

AP200 series alarm devices are installed in exactly the same manner as an intelligent fire detector. The devices use the B501AP detector base.

1.1 Electrical installation, Base B501AP



1.2 Mechanical installation

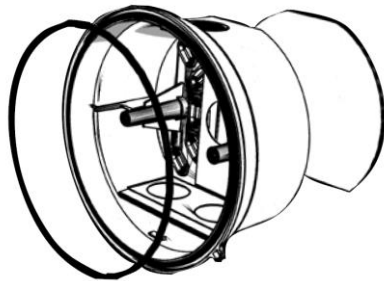
1.2.1 Bases/IP rating



B501AP Base (IP21C)



Deep Base BPW-E010 (IP44)



Waterproof Base WPW-E010 (IP65)

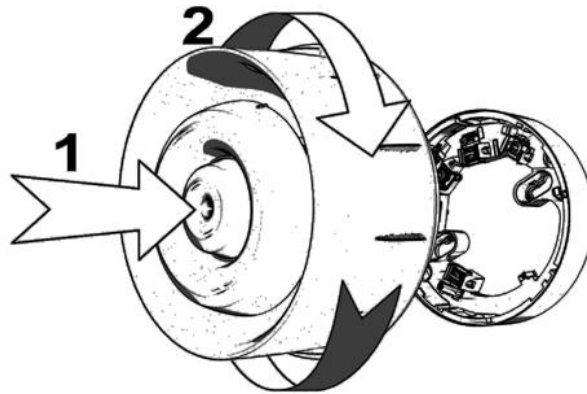
If the waterproof option is required then the wall gasket must be fitted behind the deep base, and the sealing o-ring fitted after attaching the low profile base.

1.2.2 Mounting

Affix B501AP base to suitably flat wall or ceiling. Terminate the cable to the appropriate terminals. For surface mount wiring the cable can enter the B501AP base via the break outs provided. Select the appropriate tone and volume settings via the DIP switch.

Locate the main assembly on to the base by rotating until it locks into place.

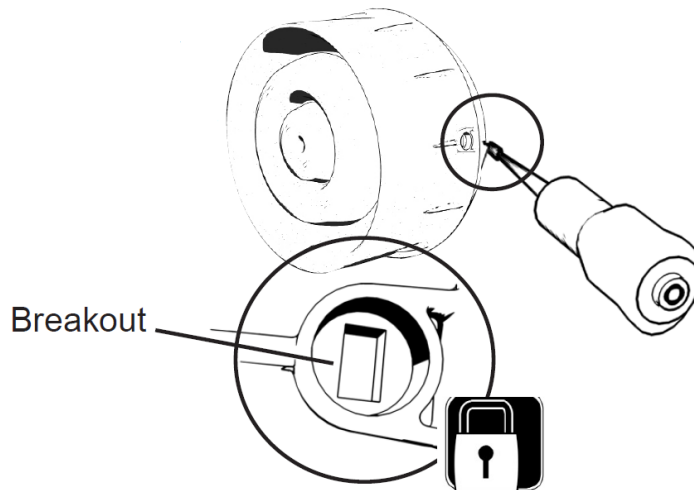
Wall mount:



1.2.3 Anti tamper lock

The B501AP base also includes a tamper resistant feature that when activated prevents removal of the unit without the use of a special tool. This method is consistent with the tamper feature across all devices using this base. This prevents the device being turned to enable its release.

Wall mount:



1.3 Product Codes

Bases	IP rating	Product codes
B501AP	IP21	FFS06710600
BPW-E010	IP44	FFS06711742
WPW-E010	IP65	FFS06711743