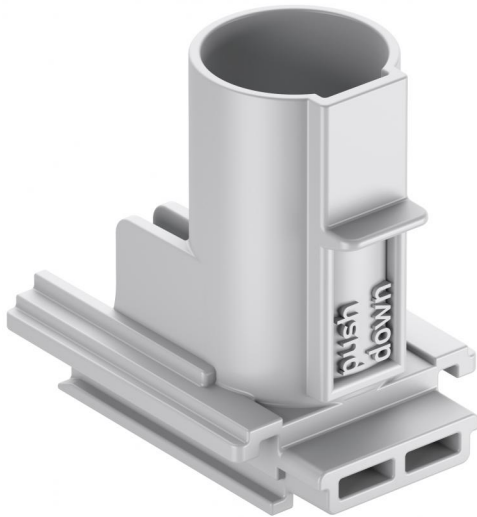


Conduit adapter

RA 16



RA 16

Conduit adapter

Productnumber: 98401601

Dimensions: 39,7 x 40,2 x 28,5 mm

Conduit adapter, for receiving conduits without tools, integrated conduit stoppers and strain relief for P 71 GRD and P 71 GVD

M16 conduit adapter, suitable for P 71 GRD and P 71 GVD



Technical Data

electrical characteristics

Suitable for:	Concrete construction
---------------	-----------------------

Dimensions

Width:	39.7 mm
--------	---------

Length:	40.2 mm
---------	---------

Height:	28.5 mm
---------	---------

Material characteristics

suitable for exterior use:	no
----------------------------	----

Industry quality:	no
-------------------	----

Flammability class according with UL94:	V2
---	----

Glow-wire flammability according to EN 60695-2-11:	960 °C
--	--------
