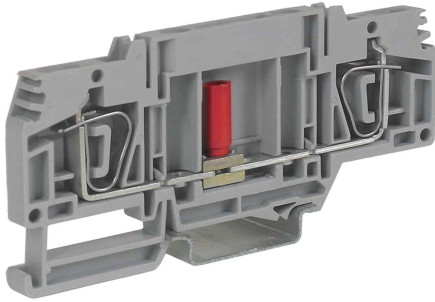

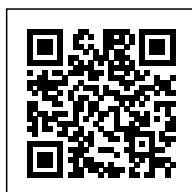


Sping-clamp
terminal block 6mm² for test-measuring circuit, grey color



Series	HMS – HSCB
Code	HB200GR
Type	HSCB.6/GR
HS code	85369010
Colour	grey
TECHNICAL FEATURES	
Function/Type	Disconnecter
Rated cross-section	6 mm ²
Connecting capacity	
Flexible wire	0.2-10 mm ²
Rigid wire	0.2-10 mm ²
Wire with ferrule - ferrule type	6 mm ² – WP60/20
Electrical characteristics according to IEC EN standard	
Maximum voltage AC/DC	800 V
Maximum current (rated cross-section)	41 A
Caliber	A5
Electrical characteristics according to UL Standard	
Maximum voltage AC/DC	600 V
Maximum current (rated cross-section)	35 A
Section (min-max)	24-8 (AWG)
Electrical characteristics according to ATEX directive and IEC Ex standard	
Rated impulse withstand voltage / pollution degree	4 kV / 3
Insulation stripping length	13 mm
Width (pitch)	8.2 mm
Length	97 mm
Height mounted on TH35-7.5/TH35-15/G32	48 / 56 / – mm
Insulation material temperature index (EN 60216-1)	130 °C
Plastic material	Polyamide UL94V-0
ACCESSORIES	
End section	
Grey	HSCB.6/PT/GR (cod. HB201GR)
Blue	–
Thickness	1.5 mm
Cross-connection	
Model A)	PTC/8/... (cod. PTC08...)
Model B)	–
Rated current carrying capacity IEC/ATEX	41 A
Cross-connection identification strip	PTC/SP (cod. PTC0990)
Coloured partition plate	–
Cross-connection barrier	DFM/500 (cod. DF500)
Test plug socket	HSCB/6/CPM/R (cod. HB205R)
Test plug	SDD/2 (cod. DD002)
Modular test plug	–
End section for modular test plug	–
Screw and plate for short-circuit	
Screw and sleeve	HSCB/6/CPM (cod. HB205)
2 poles plate	HSCB/6/PO/2 (cod. HB203)
4 poles plate	HSCB/6/PO/4 (cod. HB204)
Marking	
Single marking tag	CNU/8/51 (cod. NU0851S)
Single marking tag for pitch insertion	–
End bracket	
TH35 screw type	BT/3 (cod. BT003)
TH35 snap-fit type	BTO (cod. BT007)
TH35 and G32 snap-fit type	BTU (cod. BT005)
DIN rail according to IEC 60715/TH35	PR/3/..
APPROVALS AND MARKINGS	



* DD version suitable for voltmetric circuits (with sockets upstream and downstream of the slide link)* CD version suitable for

amperometric circuits (with sockets upstream and downstream of the slide link and sleeve for short circuit upstream of the slide link)
1 For more details on accessories, refer to the relevant chapters

DESCRIZIONE DEL PRODOTTO

HSCB.6/GR Spring-clamp terminal block 6mm² for test-measuring circuit, grey color