

DC BK 12 RD10 STBLANK (308 133)

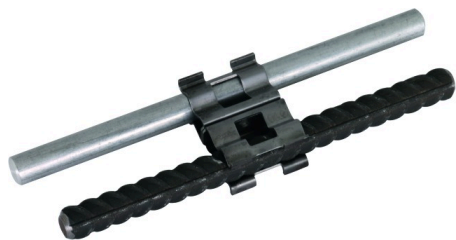
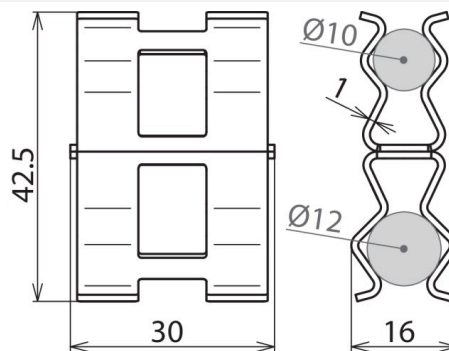
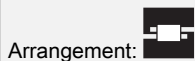


Figure without obligation



- Compact, light and resource-saving
- Quick and without tools
- Efficient and time-saving



Type	DC BK 12 RD10 STBLANK
Part No.	308 133
Material	St/bare
Clamping range Rd* / Rd	12 / 10 mm
Material thickness (t1)	1 mm
Lightning current carrying capability (10/350 µs)	50kA ^{*)}
Standard	EN 62561-1
Weight	20 g
Customs tariff number	85389099
GTIN	4013364288911
PU	50 Stk

*) Nominal diameter d_s of the reinforcement

**) For exact assignment see test certificate.

We reserve the right to introduce changes in performance, configuration and technology, dimensions, weights and materials in the course of technical progress. The figures are shown without obligation.