

55501850	<b>DATA SHEET</b>	
Valid from: 06.06.2023	<b>SILVYN® SSVZ-M</b>	

By the SILVYN® SSVZ-M bargain it a conduit clamp gland which is made of nickel-plated brass, with cable strain relief and cable sealing. By the special bosh lugs is a simply assembling and strain relief of the conduit warranted.

For a additional protection the conduit can combined with a clamp SILVYN® SCH. The cable gets clamped by the incised sealing ring.



**Material:**

Body	Brass, nickel plated
Special ribs	Brass, nickel plated
Flat washer	Steel, nickel plated
Incised Sealing Ring	CR
O-Ring	NBR

**Technical Features:**

Connecting thread	M16x1,5 up to M63x1,5 acc. to EN 60423
Conduit wide	10x14 mm up to 50x56 mm
Protection class	IP54 up to IP68 acc. to EN 60529
Temperature range	Depending on the used conduit -20°C up to +80°C

**Reference standards:**



EN 61386-1

**Suitable conduits:**

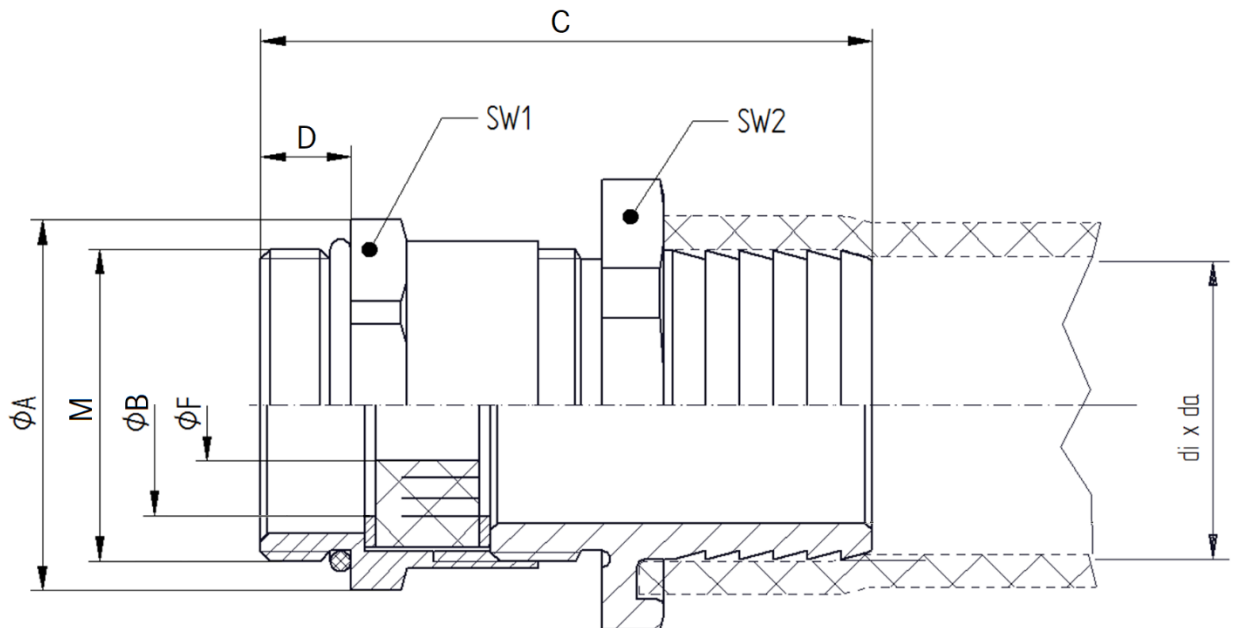
SILVYN® SI  
SILVYN® SP  
SILVYN® SP-PU

For more information please see our current catalogue. Please do not hesitate to contact our laboratory if there are any questions regarding resistance against aggressive agents and special oil.

Creator: FICE1/PDP Released: VACH1/PDP	Document: DB55501850EN Version: 04	Page 1 of 2
---	---------------------------------------	-------------

55501850	<b>DATA SHEET</b>	
Valid from: 06.06.2023	<b>SILVYN® SSVZ-M</b>	

**Product drawing:**



**Dimension table:**

Article No.	di x da	M	D [mm]	C [mm]	ØF [mm] Incised sealing ring	ØB [mm]	ØA [mm]	SW1	SW 2
55501850	10 x 14	M16x1,5	5,0	39,0	5 / 8	8	20,0	18	19
55501860	12 x 16	M16x1,5	5,0	39,0	5 / 8	10	22,2	18	19
55501870	14 x 18	M20x1,5	6,0	39,6	7 / 10 / 12,5	12	24,0	22	22
55501880	16 x 20	M20x1,5	6,0	39,6	7 / 10 / 12,5	12	24,0	22	22
55501890	18 x 23	M20x1,5	6,0	43,0	7 / 10,5 / 13 / 16	14	24,0	22	25
55501900	22 x 27	M20x1,5	6,0	44,0	8 / 10,5 / 13,5 / 16	15	26,2	24	30
55501910	23 x 28	M25x1,5	7,0	48,0	11 / 15 / 18 / 20	20	33,0	30	32
55501920	30 x 36	M32x1,5	8,0	53,6	18 / 23 / 27 / 31	27	42,5	40	40
55501930	32 x 38	M32x1,5	8,0	53,6	18 / 23 / 27 / 31	27	42,5	40	40
55501940	38 x 44	M40x1,5	8,0	61,6	24 / 28 / 31 / 35	34	54,0	50	52
55501950	45 x 51	M50x1,5	9,0	68,6	30 / 35,5 / 39 / 42,5	41	60,0	57	57
55501960	50 x 56	M63x1,5	10,0	71,6	36 / 40 / 44 / 47	46	70,0	66	66

Creator: FICE1/PDP Released: VACH1/PDP	Document: DB55501850EN Version: 04	Page 2 of 2
---	---------------------------------------	-------------