

Product End-of-Life Instructions

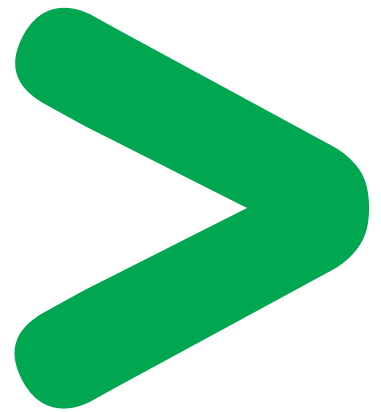
Modicon M80 PLC

Product Range

Modicon M80 PLC

Marketing Model

BMKC8020310, BMKC8030310, BMKC8020300



Size in mm:

H x L x D : 220 x 100 x 109.7

Weight (excluding packaging) in g:

1260.5

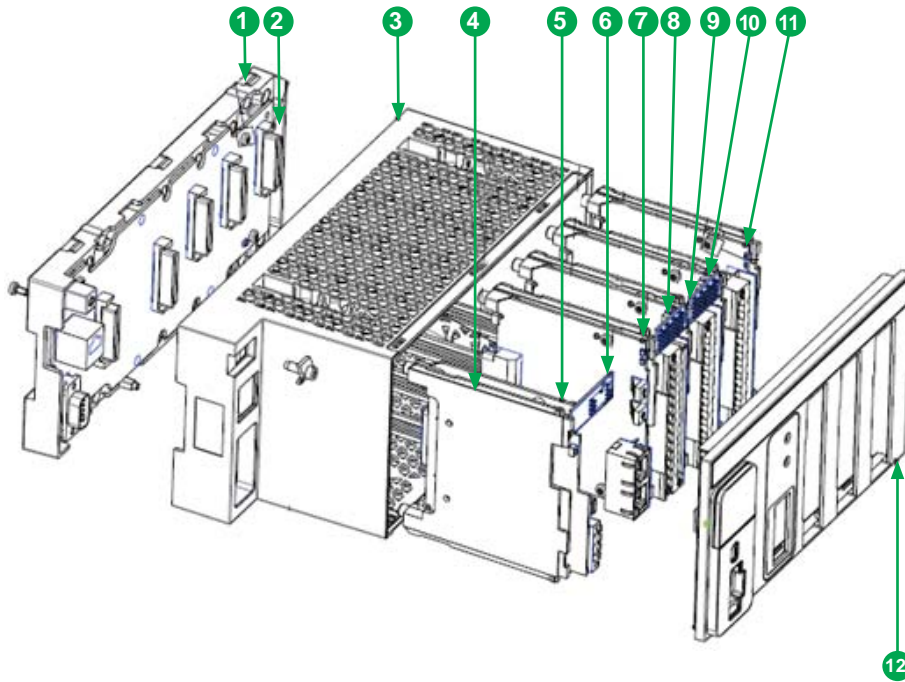


Operations recommended for the end of life treatment

There are several steps to process the products at the end of life so as to recover components, materials or energy :

Reuse ⇒ Separation for special treatment ⇒ Other Dismantling ⇒ Shredding

The components of the products that optimize the recycling performances are listed, identified and located hereunder.



Recommendation	Number on drawing	Components	Weight (g)	Comment
Special treatment	2	PCBA	115.7	–
	5 to 11	8 PCBAs	299	–
Other dismantling	1	Metal	213.5	Aluminium
	3	Plastic	177.3	PC FR
	4	Metal	47.1	Aluminium
	12	Plastic	43	PC FR

Schneider Electric Industries SAS

35, rue Joseph Monier
CS30323
F - 92506 Rueil Malmaison Cedex

RCS Nanterre 954 503 439
Capital social 896 313 776 €
www.schneider-electric.com

The version of the Guide used to create the document: End of Life Instruction Drafting Guide of Schneider Electric version V1.

Publication : Schneider Electric