



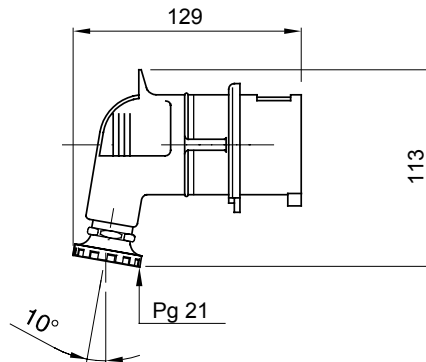
A range of trailing and fixed plugs and socket-outlets for industrial use, complying with the dimensional and performance standards unified at International level (IEC 60309) and assimilated by the European Standards (EN 60309) and Italian Standards (CEI 23-12). Socket-outlets and plugs with a rated current of 63 and 125A are equipped with an extra pilot contact (CP) for creating an electric interlock. The range is completed with 90° fixed plugs and 10° and 90° fixed socket-outlets. Sleeves and pins are obtained from solid brass bar, type Pt. CuZn40Pb2 (Cu 58%, Zn 40%, Pb 2%); anti-loosening terminals with unlosable screws, and built-in cable clamp with anti-abrasion cable gland.

|                                 |  |                              |   |
|---------------------------------|--|------------------------------|---|
| Colour                          | Blue   | Rated current (A)            | 32  |
| IP degree                       | IP44   | No. of poles                 | 2P+E  |
| Mechanical resistance           | IK08   | Reference h                  | 6   |
| Rated voltage                   | 200-250 V                                      | Type                         | 90° plug  |
| Frequency                       | 50/60 Hz                                       | Terminal tightening capacity | 2.5-6mm <sup>2</sup> flexible cables - 2.5-10mm <sup>2</sup> rigid cables |
| Cable clamp tightening capacity | 11-19.6 mm                                     | Operating temperature        | -25 +55 °C  |
| Type of wiring                  | With screw                                     | Electrocod                   | 2230  |
| Glow wire test                  | 850 °C (active parts) - 650 °C (passive parts) | Total number of operations   | > 2000  |
| Permissible overload            | 42 A   | Breaking capacity at 1.1 Un  | 40 A  |
| Insulation resistance           | > 10 MΩ  | Thermo-pressure with ball    | 125 °C (active parts) - 80 °C (passive parts)                             |

#### BEHAVIOUR WITH CHEMICAL AND ATMOSPHERIC AGENTS

| Saline solution | Acids         |                    | Bases              |           | Solvents  |           |           |            | Mineral oil | UV rays   |
|-----------------|---------------|--------------------|--------------------|-----------|-----------|-----------|-----------|------------|-------------|-----------|
|                 | Concentrated  | Diluted            | Concentrated       | Diluted   | Hexane    | Benzol    | Acetone   | Alcohol    |             |           |
| Resistant       | Not resistant | Limited resistance | Limited resistance | Resistant | Resistant | Resistant | Resistant | Resistente | Resistant   | Resistant |

#### DIMENSIONAL



#### TECHNICAL SYMBOLOGY

**IP**

IP44

**IK**

IK08



-25 +55 °C



With screw

**GWT**

850 °C (active parts) - 650 °C (passive parts)    125 °C (active parts) - 80 °C (passive parts)



#### STANDARDS/APPROVALS

