

**WD M10 12 V4A DWD L400 500 STTZN (478 550)**

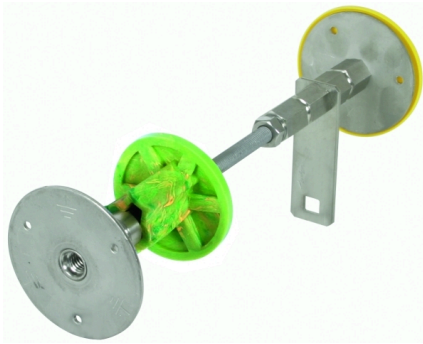
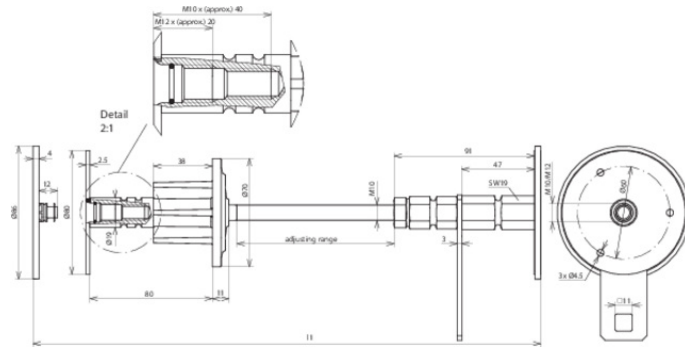


Figure without obligation



Type	WD M10 12 V4A DWD L400 500 STTZN
Part No.	478 550
Material of plate	StSt (V4A)
Material No.	1.4571 / 1.4404 / 1.4401
Material of axis	St/tZn
Wall thickness (I1)	400-500 mm
Connection thread	M10 / 12
Connection plate Ø	80 mm
Pressure-water test	1 bar
Material of water barrier	PVC
Short-circuit current (a.c. 50 Hz / d.c.) (1 s; ≤ 300 °C)	4.1 kA
Standard	EN 62561-(1+5)
Weight	838 g
Customs tariff number	85389099
GTIN	4013364120365
PU	4 Stk

We reserve the right to introduce changes in performance, configuration and technology, dimensions, weights and materials in the course of technical progress. The figures are shown without obligation.