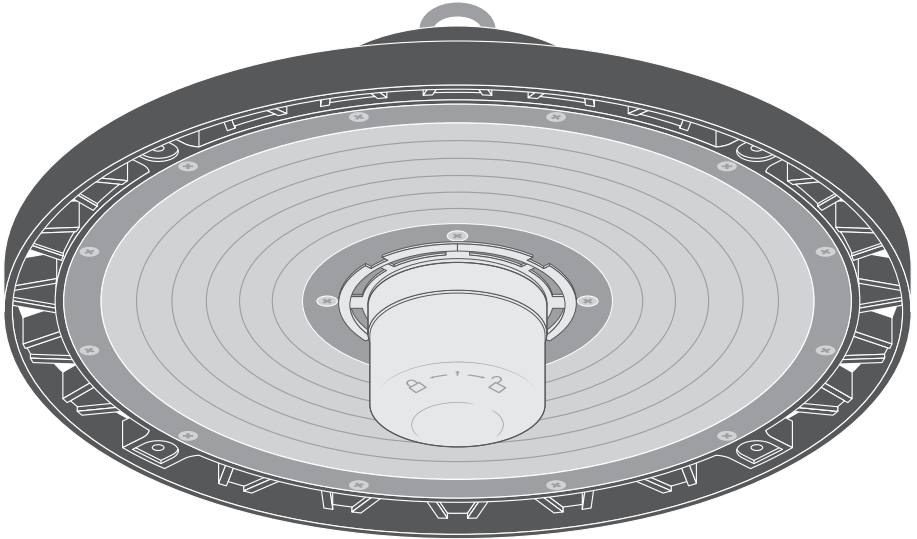
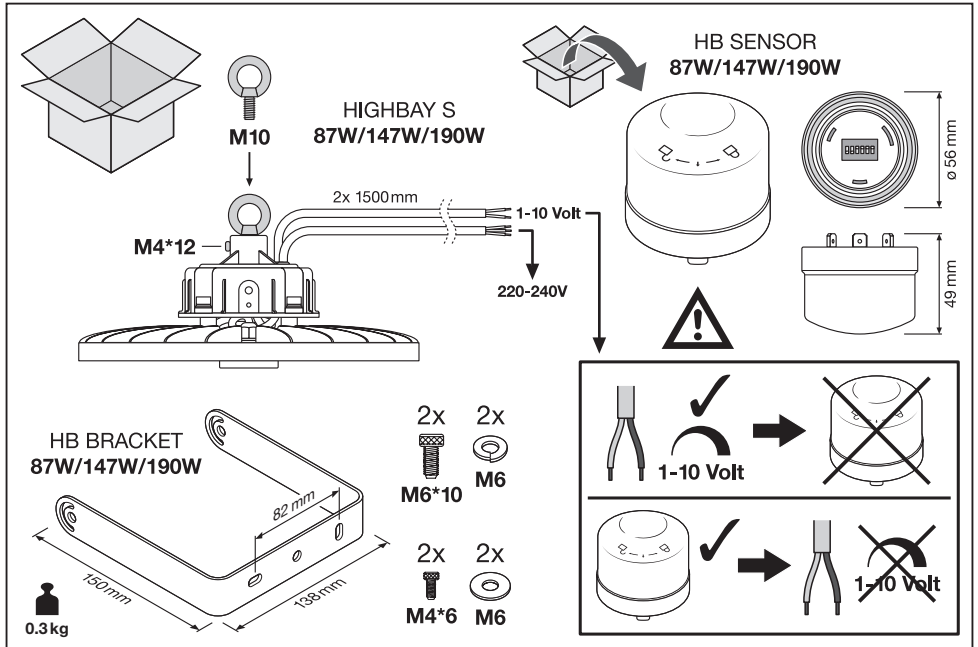

HIGHBAY SENSOR



	EAN	Ø x h [mm]	W	V _{AC}	Hz	lm	lm/W	K
HB SEN P 87W 840 110DEG IP65	4058075603257	280 x 190	87	220-240	50/60	13000	150	4000
HB SEN P 147W 840 110DEG IP65	4058075603264	321 x 188	147	220-240	50/60	22000	150	4000
HB SEN P 147W 840 70DEG IP65	4058075603271	321 x 188	147	220-240	50/60	22000	150	4000
HB SEN P 190W 840 110DEG IP65	4058075603288	321 x 192	190	220-240	50/60	27000	140	4000

	EAN	IP	IK	∠	R _a	° (°C)	PF	⊿
HB SEN P 87W 840 110DEG IP65	4058075603257	65	08	110°	≥80	-20 ... +50	>0.95	2.3 kg
HB SEN P 147W 840 110DEG IP65	4058075603264	65	08	110°	≥80	-20 ... +50	>0.95	2.6 kg
HB SEN P 147W 840 70DEG IP65	4058075603271	65	08	70°	≥80	-20 ... +50	>0.95	2.7 kg
HB SEN P 190W 840 110DEG IP65	4058075603288	65	08	110°	≥80	-20 ... +50	>0.95	2.9 kg



HIGHBAY S
87W/147W/190W

M10

2x 1500mm

M4*12

1-10 Volt

220-240V

HB BRACKET
87W/147W/190W

0.3 kg

150mm

136mm

82mm

2x M6*10

2x M6

2x M4*6

2x M6

HB SENSOR
87W/147W/190W

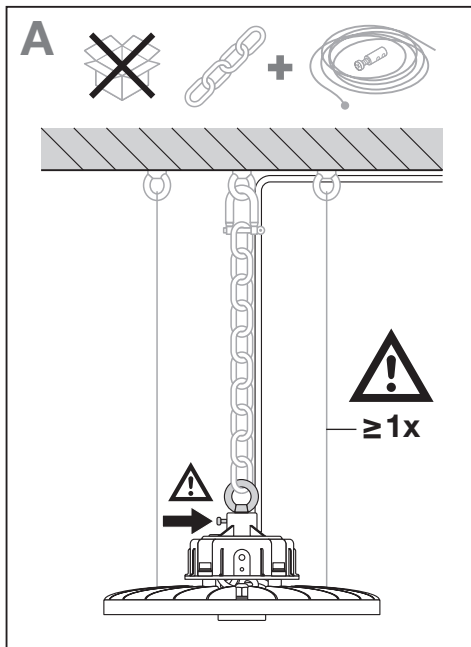
56mm

49mm

1-10 Volt

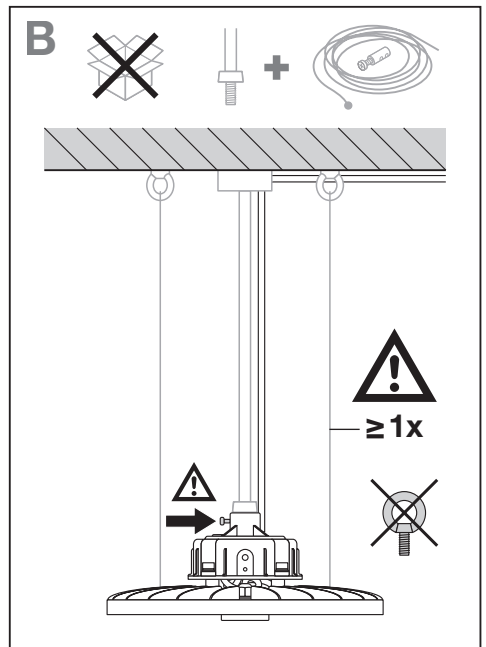
220-240V

A

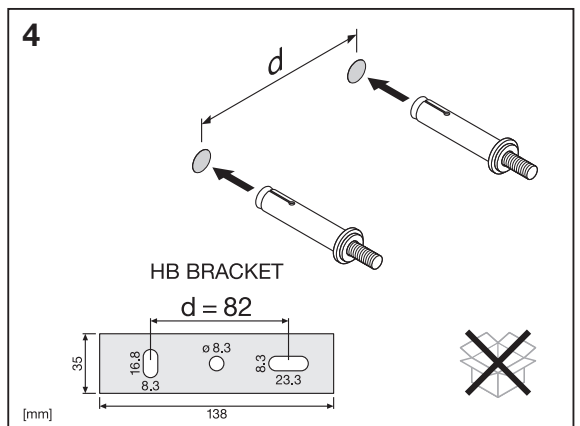
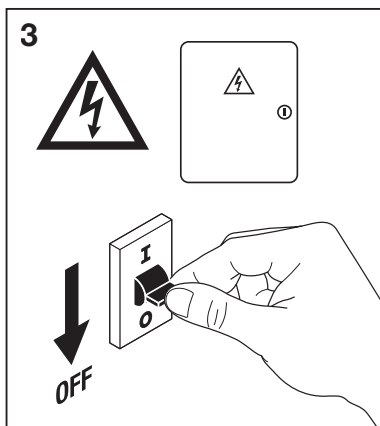
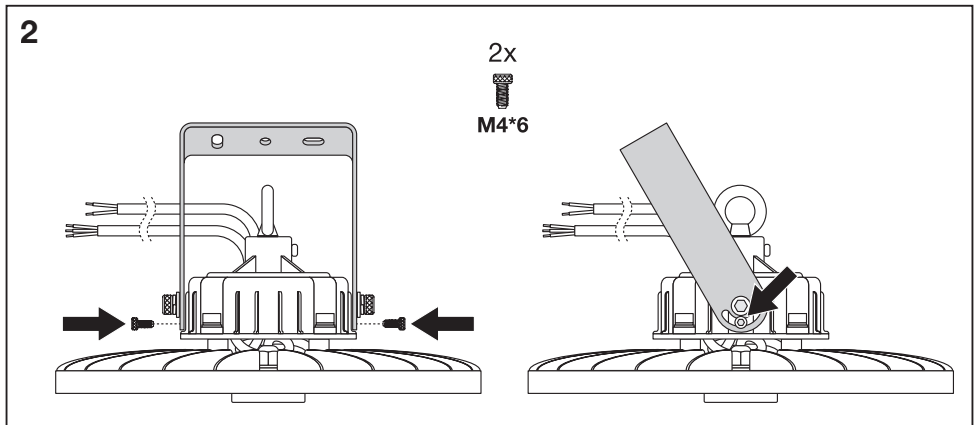
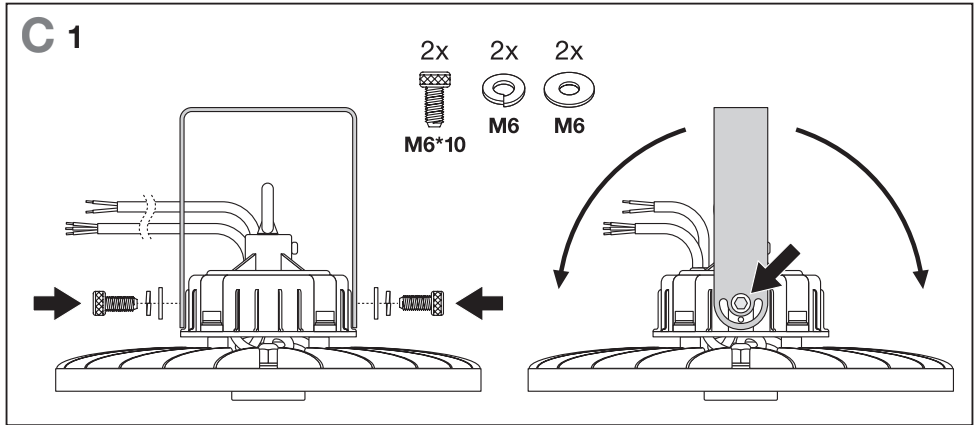


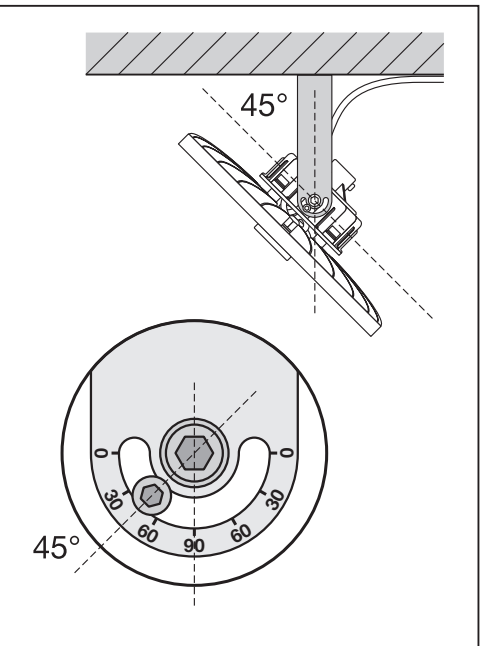
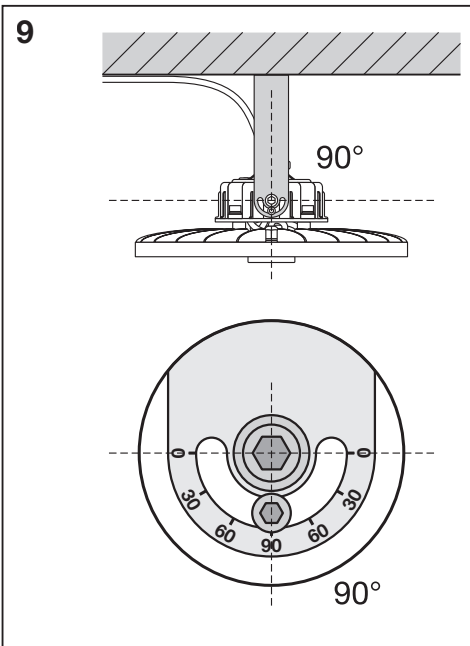
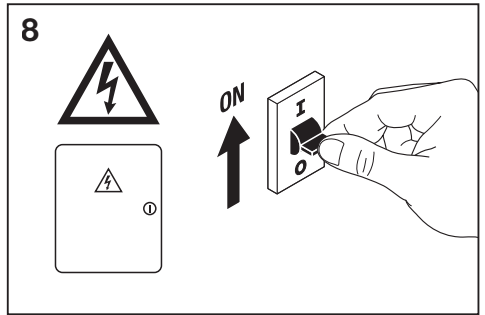
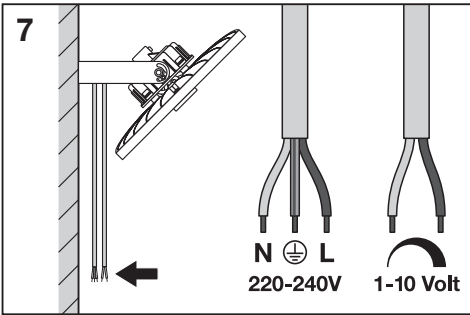
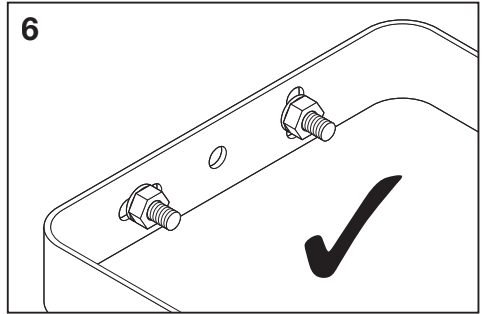
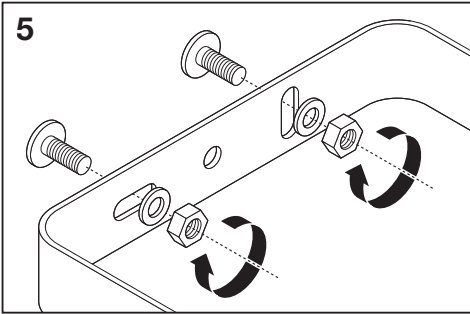
≥ 1x

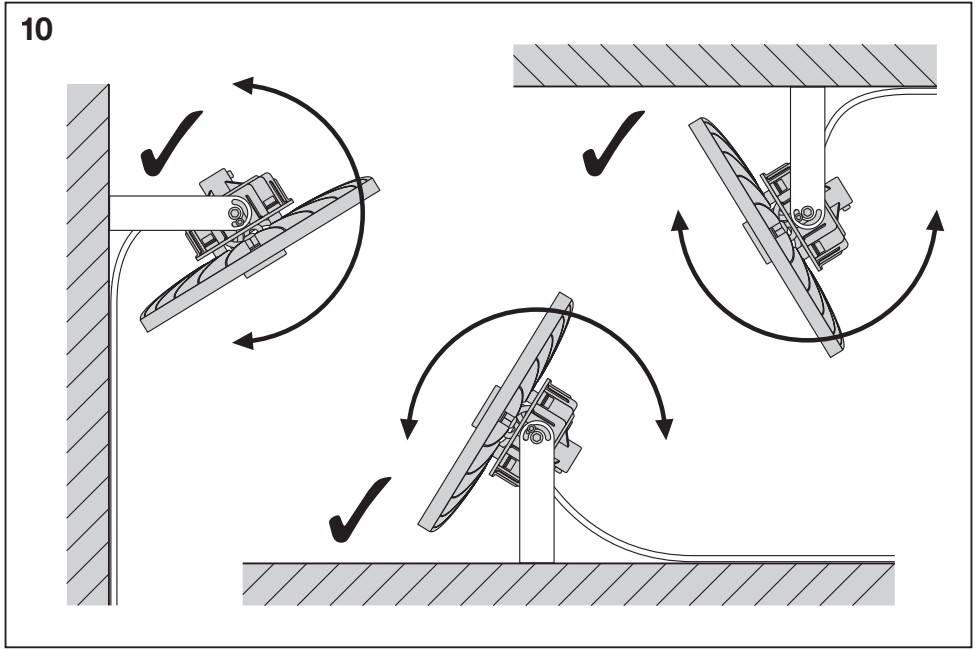
B



≥ 1x







11

Detection Area

1	
●	100 %
○	50 %

Hold Time

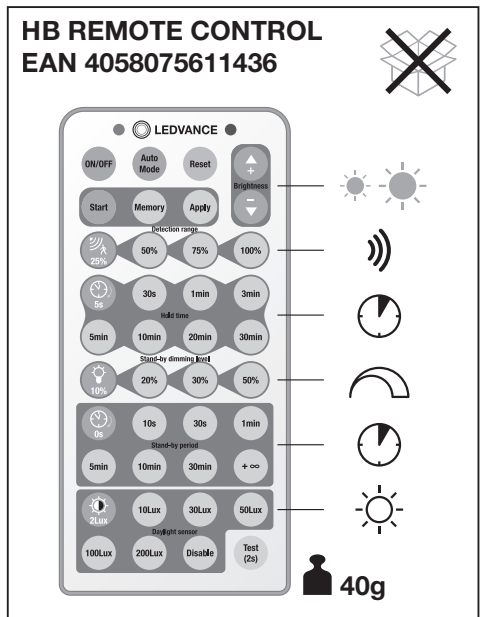
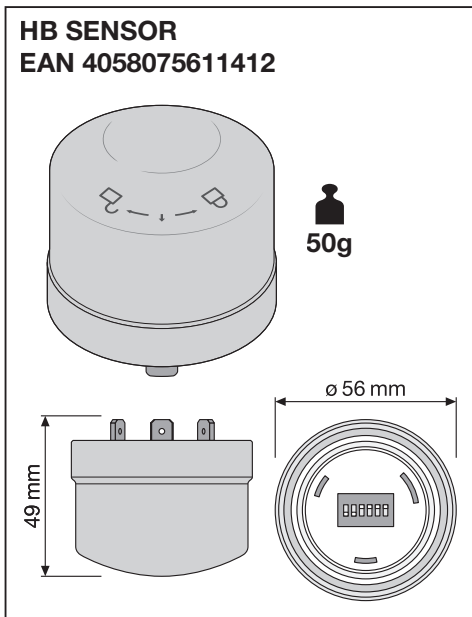
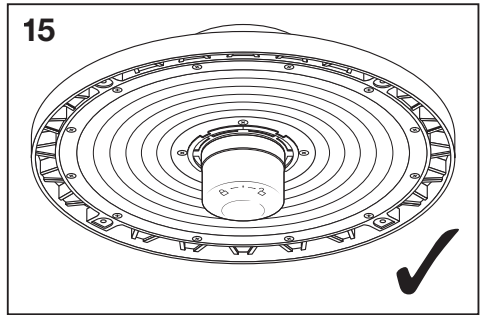
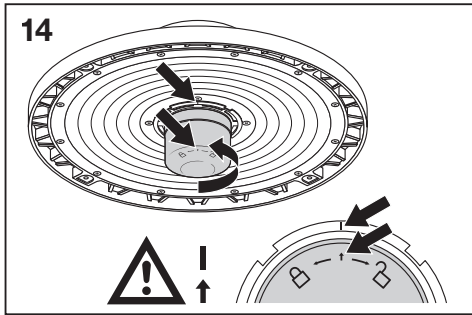
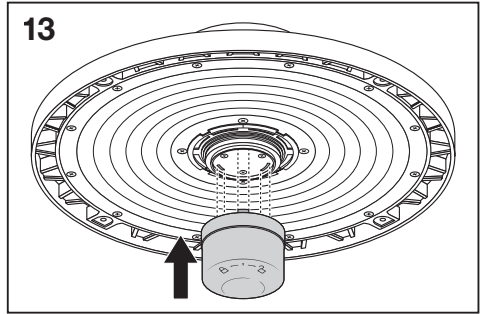
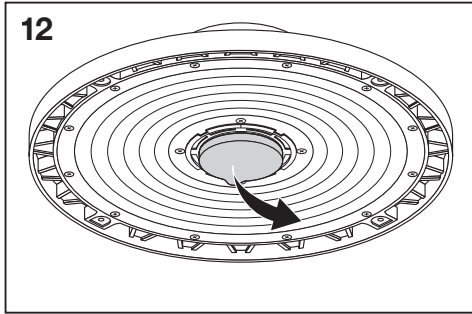
2	3	
●	●	30s
●	○	1 min
○	●	5 min
○	○	10min

Daylight Sensor

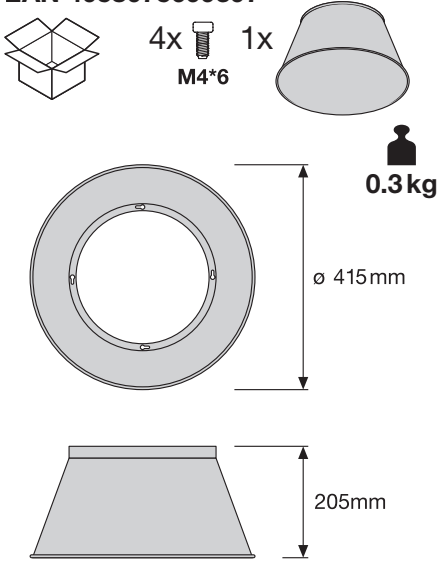
4	
●	Disable
○	100 LUX

Dimming Level

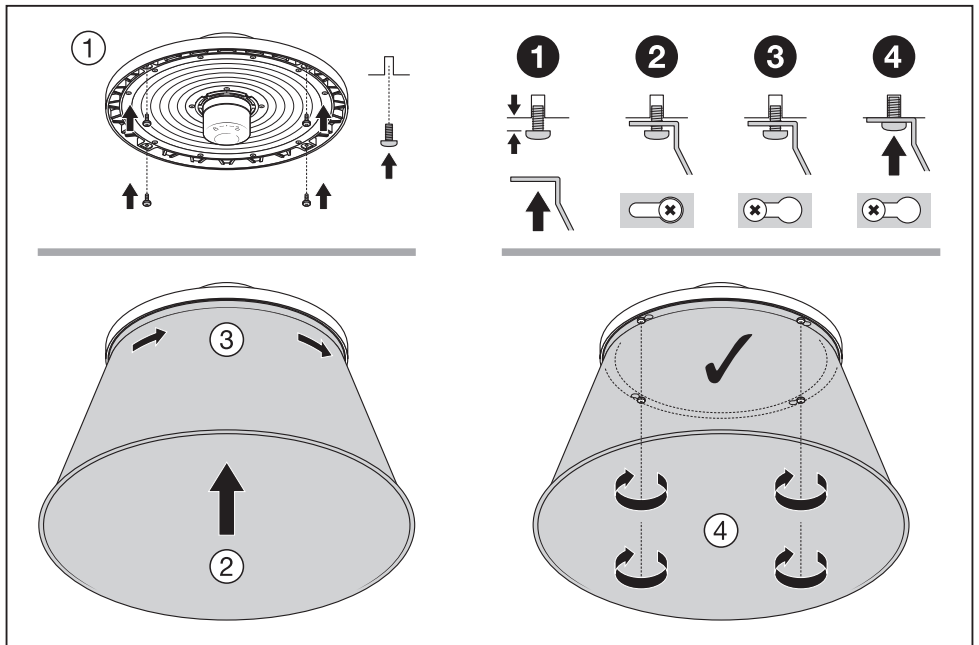
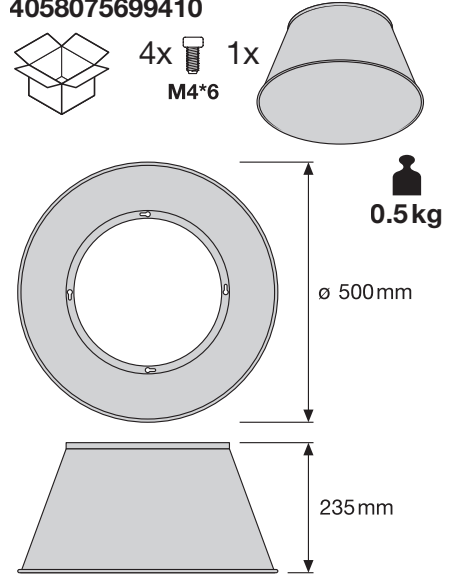
5	6	
●	●	OFF
○	●	10 %
●	○	30 %



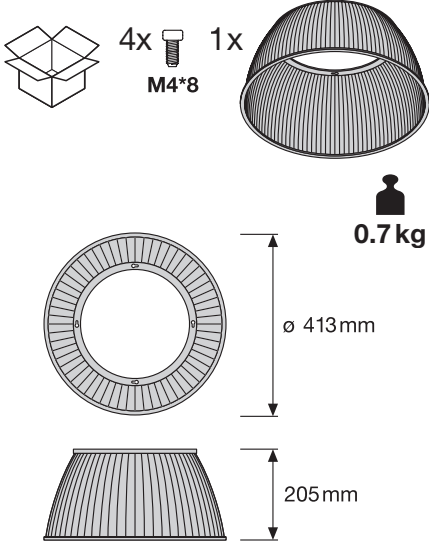
HB ALU REFLECTOR 87W
EAN 4058075699397



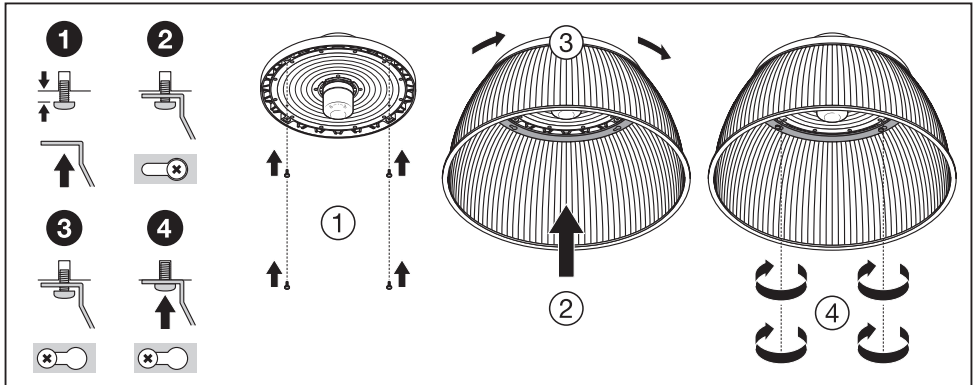
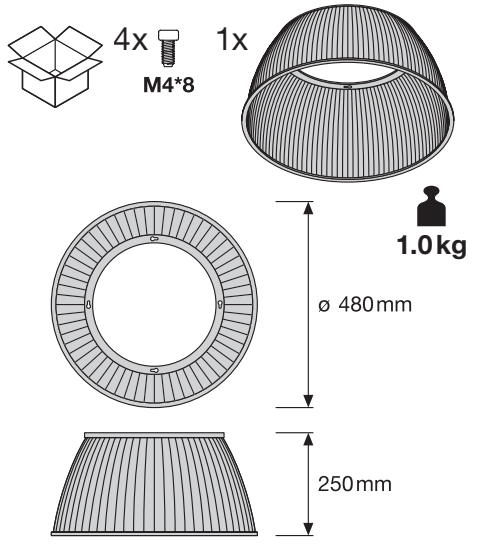
HB ALU REFLECTOR 147/190/210W
4058075699410





HB PC REFRACTOR 87W
EAN 4058075699359



HB PC REFRACTOR 147/190/210W
EAN 4058075699373



	B16A 	C10A 	C16A 
HB SEN P 87W 840 110DEG IP65	5	5	8
HB SEN P 147W 840 110DEG IP65	4	4	6
HB SEN P 147W 840 70DEG IP65	4	4	6
HB SEN P 190W 840 110DEG IP65	3	3	5



LEDVANCE GmbH
 Steinerne Furt 62
 86167 Augsburg, Germany
www.ledvance.com

LEDVANCE Ltd, Aquila House
 Delta Crescent, Westbrook, Warrington
 WA5 7NR, United Kingdom

C10449058
 G11139674
 31.03.22