

Product Data Sheet

GWP2175HB

SMART [PRO] 2.0



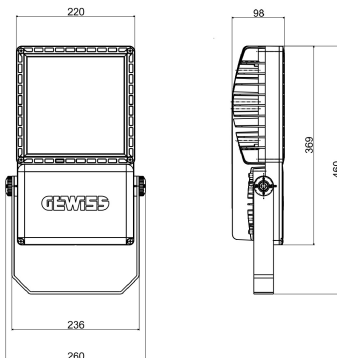
SMART [PRO] 2.0 is a medium power outdoor and indoor LED projector, suitable for lighting sports areas and facilities. It can be installed on the wall, ceiling or ground thanks to the polyester powder coated galvanised steel bracket, with trivalent passivation, equipped with adjustable goniometric scale and supplied in kit. The body is produced in aluminium die casting

EN AB 46100, with integrated passive heat sink, powder coated polyester with trivalent passivation. Metal core PCB with CSP LED.

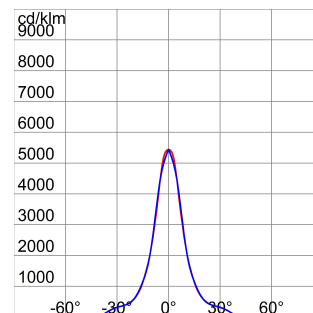
Reflector made of metallic HT PC or anodised and polished aluminium. Hardened front glass with 4mm thickness, anti-ageing silicone seals and A2 stainless steel exterior screws. Plastic venting and anti-condensation device. Electrical connection via IP68 connector for 1.5mm² cables. Insulation class 2. Driver integrated in DALI options. Available with nine different types of optics, three types of Colour Temperature (3,000K/4,000K/5,700K) and two different types of Chromatic Yield Index (CRI>70, CRI>80). Designed to withstand surges up to 5KV (RCCB mode) and 10KV (common mode), temperature variations from -30°C to +50°C, water and dust penetration up to IP66 degree of protection and impacts up to IK08 grade.

| GENERAL INFORMATION | | OPTIC AND ILLUMINATING FEATURES | |
|---|--|-------------------------------------|--|
| Context | Sport, Big Areas | Optic | C3 - Circular 20° |
| Luminaire | LED luminaire with small, mid and high lumen power | Unified Glare Rating | G*6 - ULOR = 0 |
| Application | Indoor / Outdoor | Lumen output (lm) | 20500 |
| Unique digital code (Datamatrix) | Currently not present | Efficacy (lm/W) | 124 |
| Colour | Graphite grey | Colour temperature | 5700 K |
| Type of light source | LED | Colour Rendering Index | CRI>70 |
| System power | 165 W | Standard Deviation Colour Matching | SDCM = 5 |
| LED Lifetime | L90B10(Tq25°C)=50.000h; L80B10 (Tq25°C)=110.000h | Photobiological Risk Class | - |
| Weight (kg) | 5.7 | Standard | EN60598-1; EN60598-2-5; EN60598-2-24; IEC 62778; IEC62471; EN13201 |
| Warranty | 5 years | ELECTRICAL AND LIGHTING FEATURES | |
| Stocking temperature | - | Supply voltage | 220 - 240 V |
| Operating temperature | -30 +50 °C | Rated frequency (Hz) | 50 / 60 |
| MATERIALS | | Driver | Included |
| Body | Die-cast aluminium - | Driver failure rate | F10 = 100.000h Tq25°C |
| Shield type | Flat tempered glass 4mm | Overvoltage protection | DM 6 kV / CM 10 kV |
| Optic | Polished quartz and metallized PC HT reflector | Control System | DALI |
| Gasket | Anti-aging silicone | INSTALLATION AND MAINTENANCE | |
| Locking Hook | Hexagonal metric screws | Mounting and installation | High-mast lighting - Wall mounting - Ground mouting |
| External screw | Stainless steel | Tilt | Rotation on bracket with integrated goniometer |
| Colour | Polyester powder coated | Wiring | Watertight connector |
| STANDARDS AND APPROVALS | | Fixing | Bracket |
| Classification | - | Light source replaceability | By professional |
| Device with reduced surface temperature | Yes | Controlgear replaceability | By professional |
| DIN 18032-3 certification | Yes | Driver Box | Built-in |
| IPEA | - | Maximum surface exposed to the wind | 0,085 m ² |
| Insulation class | II | | - |
| IP degree | IP66 | | - |
| Mechanical resistance | IK08 | | - |
| Glow Wire Test | - | | - |

DIMENSIONAL



PHOTOMETRIC DISTRIBUTION



Product Data Sheet

GWP2175HB

SMART [PRO] 2.0

TECHNICAL SYMBOLOGY



0,085 m2



IP
IP66

IK
IK08

GWT
-

STANDARDS/APPROVALS

