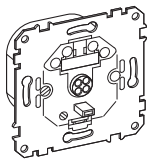


Memory ET super dimmer insert for capacitive load

Operating instructions



Art. no. MTN577899

For your safety



DANGER

Risk of fatal injury from electrical current.

All work on the device should only be carried out by trained and skilled electricians. The country-specific regulations must be followed.



DANGER

Risk of fatal injury from electrical current.

The outputs may carry an electrical voltage even when the dimmer is switched off. Always disconnect the fuse in the incoming circuit from the supply before working on connected loads.

Memory ET super dimmer insert introduction

You can use the Memory ET super dimmer insert (referred to below as **dimmer**) for switching and dimming connected capacitive loads (electronic transformers) or ohmic loads (incandescent lamps or 230 V halogen lamps) via a sensor cover.

The built-in memory function can store the brightness level that was last set (can be switched off).

The dimmer is overload-proof, short-circuit-proof and hum-free, and has a soft start function which softly dims up a connected load.

You can connect as many mechanical extension units (conventional push-buttons) or universal relay inserts (art. no. MTN575897) with the set push-button function as you wish.



CAUTION

Danger of device malfunctions.

The dimmer requires a minimum load of 20 W for operation. If this is not met, malfunctions are possible.



CAUTION

Damage to the device.

Connected devices and the dimmer can be damaged if you connect inductive loads (e.g. wound transformers).



If the load is too high, it will trigger the dimmer's overload protection. When the connected load is reduced, the overload protection switches off and the dimmer switches back on.



Do not use dimmers on socket-outlets! The risk of overloading and the risk of unsuitable appliances being connected is too high.



If you do not install the dimmer in a single, standard flush mounting box, the maximum permissible load is reduced as follows, due to the restricted heat dissipation:

Load red. by	Dimmer installed in cavity or wooden walls*	Several dimmers installed in combination*	Several dimmers mounted on a DIN rail	Dimmer in 1 or 2-gang surface-mounted housing	Dimmer in 3-gang surface-mounted housing
25 %	X	X	X		
30 %				X	
50 %					X

* If several factors apply at once, add the load reductions together.

Completing the dimmer

Complete the dimmer with a frame and a

- sensor cover (art. nos. MTN5776.., MTN5701.., MTN5737..) or
- TELE sensor cover (art. nos. MTN5779.., MTN5703.., 5709..) or
- control electronics, 1-gang (art. no. MTN569090) and glass sensor cover (art. no. MTN569x..)

Installing the dimmer



DANGER

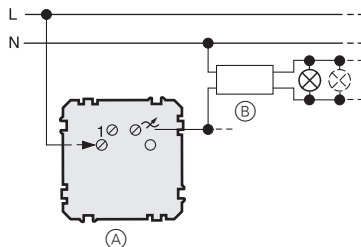
Risk of fatal injury from electrical current.

The outputs may carry an electrical voltage even when the dimmer is switched off. Always disconnect the fuse in the incoming circuit from the supply before working on connected loads.

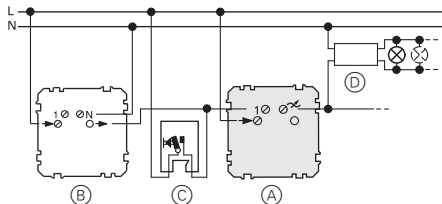
- ① Wiring the dimmer for the application:

Applications:

- Dimmer (A) as a stand-alone device with electronic transformer (B):

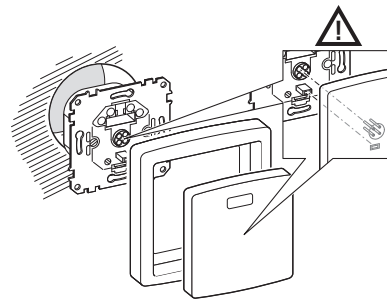


- Dimmer (A) and electronic transformer (D) in extension unit operation with push-button (C) and universal relay insert (B) with push-button function:



A neutral conductor is required if the universal relay insert is used.

- ② Install the dimmer in the switch box so that the anti-rotation element is at the bottom.



CAUTION

Bending the contact pins.

The plug prongs on the rear of the sensor cover can become bent if tilted excessively. Therefore always plug the sensor cover in as straight as possible.

- ③ Attach the accompanying sensor cover together with the frame. Hold the sensor cover so that the recess at the back is at the bottom to receive the pin of the push-button insert.

For glass sensor covers: refer to the accompanying installation instructions.

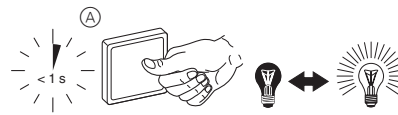
How to operate the dimmer

Operate the dimmer via one of the following:

- Sensor cover on the dimmer itself
- Sensor cover on an electrical extension unit
- Mechanical extension unit (conventional push-button)
- IR remote control (when a TELE sensor cover IR is fitted on the dimmer or extension TELE insert)

Operation is the same in all cases.

Switching/dimming connected luminaires



- Switching on/off: press the button briefly
- Dimming brighter/darker: press the button and hold it down

Switching the memory function on/off

- ① Switch the dimmer on and off at least ten times in quick succession.

What should I do if there is a problem?

The dimmer dims independently in the operating state or cannot be switched back on

Allow the dimmer to cool down and reduce the connected load.

Technical data

Mains voltage:	AC 230 V, 50 Hz
Nominal power:	20 – 315 W
Residual brightness:	Permanently set
Features:	Short-circuit-proof, overload-proof, hum-free, soft start, memory function (can be switched off).

Schneider Electric Industries SAS

If you have technical questions, please contact the Customer Care Center in your country.

www.schneider-electric.com

This product must be installed, connected and used in compliance with prevailing standards and/or installation regulations. As standards, specifications and designs develop from time to time, always ask for confirmation of the information given in this publication.