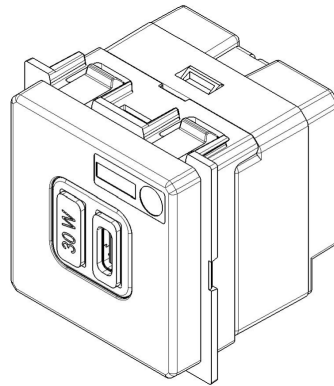


USB universal charger Type C 30W PD



1. USE

Powering-Recharging portable devices such as phones, smartphones, tablets, MP3 or MP4 players, loudspeakers, watches, game consoles, powerbanks. It's able to optimize the charging speed of Power Delivery terminals. USB POWER DELIVERY is the new fast charge technology embedded in IOS/Apple and Android/Google devices.(1)

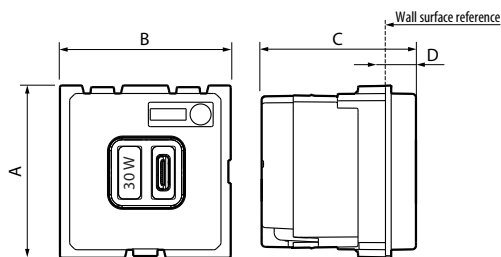
2. RANGE

Designation	Cat. No.	Related Cover Codes
USB socket - 5 V $\overline{=}$ - 3000 mA	K4288C2	<input type="checkbox"/> KW12C <input checked="" type="checkbox"/> KM12C <input checked="" type="checkbox"/> KG12C

Colours code:

White Sand Black

3. OVERALL DIMENSIONS (mm)



A	B	C	D
45	45	41	8

4. CONNECTION

Type of terminal: with screws
Terminal capacity: 2 x 2.5 mm²
Stripping length: 6 mm
Screwdriver: flat 3.5 mm

Recommended use: circuit terminal outlet

5. TECHNICAL CHARACTERISTICS

5.1 Mechanical characteristics

Impact tests: IK 04
Penetration by solid bodies/liquid: IP 20

5.2 Material characteristics

Material:
- Base: PC
- Cover plate: PC
- Halogen free
- UV resistant

Self-extinguishing:

+ 850° C / 30 s for insulating parts holding live parts in place.
+ 650° C / 30 s for other parts made of insulating materials.

5.3 Climatic characteristics

Storage temperature: - 20° C to + 70° C
Operating temperature: 0° C to + 45° C

5.4 Electrical characteristics

All values listed below are measured at an ambient temperature of + 25° and after 15 minutes of operation.

Nominal input voltage	100 - 240 V \sim
Nominal input frequency	50-60 Hz
Maximum input current	1000 mA
Maximum power consumption in standby	0.1 W
Power average efficiency	80,3 %
Nominal output voltage	5 V $\overline{=}$ (*)
Maximum output current	3000 mA (*)

Classe de consommation hors charge et niveau moyen d'efficacité: level VI**

Safety-standard	EN60950-1
Protection class	II - Low voltage

**NB: European Regulation No. 278/2009 of 6 April 2009, Directive 2005/32/EC on eco-design requirements for AC/DC power supplies

(*)Charging Volatage:

5,0 V $\overline{=}$ →	3,0 A
9,0 V $\overline{=}$ →	3,0 A
12,0 V $\overline{=}$ →	2,5 A
15,0 V $\overline{=}$ →	2,0 A
20,0 V $\overline{=}$ →	1,5 A

Note: To optimize charging time , switch off your device during charging

USB universal charger Type C 30W PD

6. CLEANING

Surface cleaning with a cloth.

Do not use: acetone, tar remover, trichlorethylene.

Caution: A preliminary test should be carried out if specific cleaning products are to be used.

7. STANDARDS AND APPROVALS

Certified Power Delivery item: Open std for fast charger

Compliant with product and installation standard.

See catalogue

(1)

It is able to provide a faster charging compared to traditional USB thanks to sharing infos between charger and terminal.

Note : On going integration on Smartphones IOS-Android from 2015, 100 % during 2020 .