

# FERINA

WOJP04923

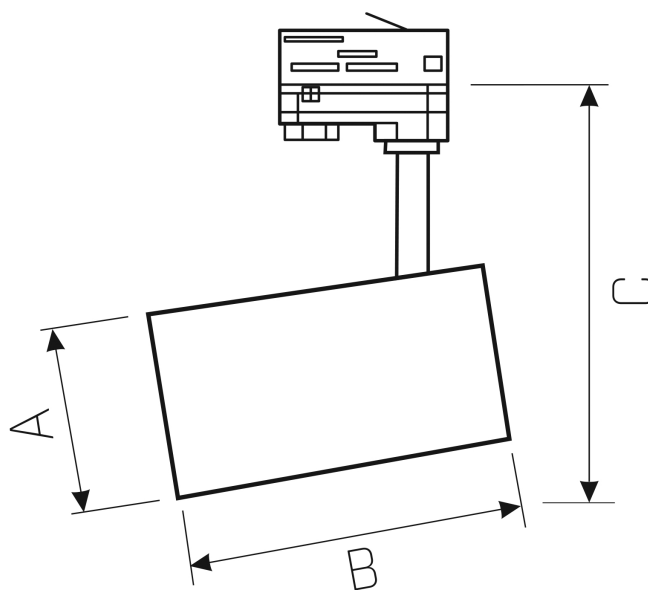


Power **27 W**  
Colour temperature **4000 K**  
Beam angle **24 °**

Voltage **230 V**  
Colour of light **Neutral white**  
Degree of protection (IP) **IP20**


## Technical data

Code	W0JP04923
Power	27 W
Nominal current	129.1 mA
Voltage	230 V
Energy consumption	27 kWh/1000h
Frequency	50HZ Hz
Protection class	I
Power supply included	+
Manufacturer of power supply	TCI
Power factor	0.93
Useful luminous flux*	3375 lm (360°)
Luminous flux**	2700 lm (360°)
Lamp efficacy	125 lm/W
Colour temperature	4000 K
Colour of light	Neutral white
Beam angle	24 °
RA	90
Light source included	+
Producer of LED diodes	CREE
Uniformity of color SDCM max	3
Dimmable	No
Working temperature range	-20/+40 °
Lifespan	50000 h
Housing material	Aluminum
Degree of protection (IP)	IP20
Colour	White
Dimension (AxBxC)	130x220x245 mm
For use	Inside
Assembly method	on track
Application	Inside
Made in	PL



## Related documents



 Photometric file