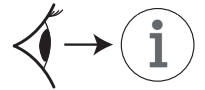
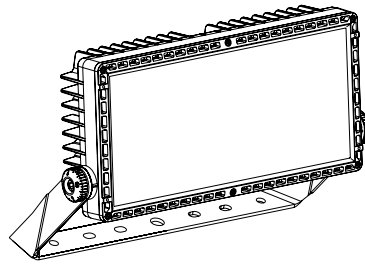


# Smart [PRO]e

# GEWISS



	<b>Kg</b>			<b>I</b>	<b>U<sub>out</sub></b>	<b>t<sub>a</sub></b>
	8	0,04 m <sup>2</sup>	0,16 m <sup>2</sup>	Max 1,4A	Max 340V <sup>~</sup>	Max 50°C

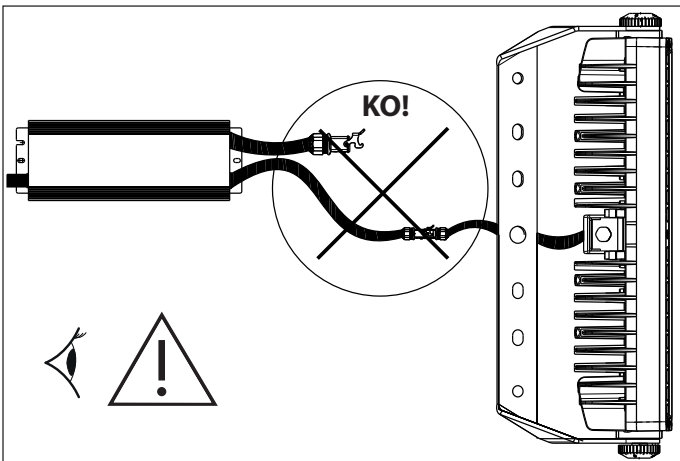
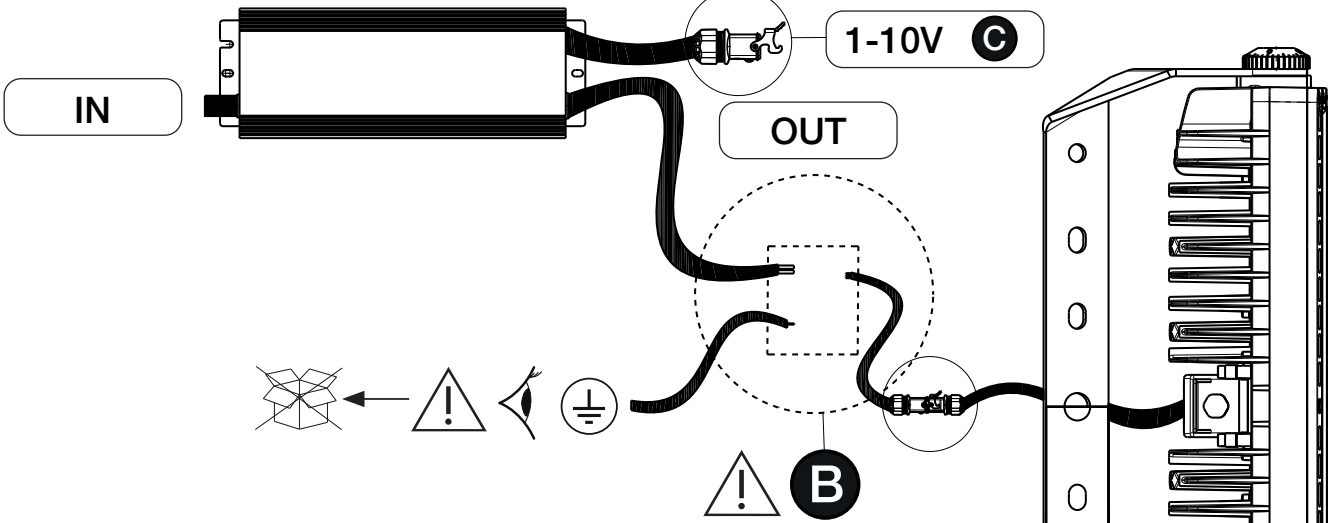


LED CCT			≤ 5700 K
Optics			RG1
		SN	2,5
		SM	2,5
		SW	2,5
		ALW	8
		ASW	8





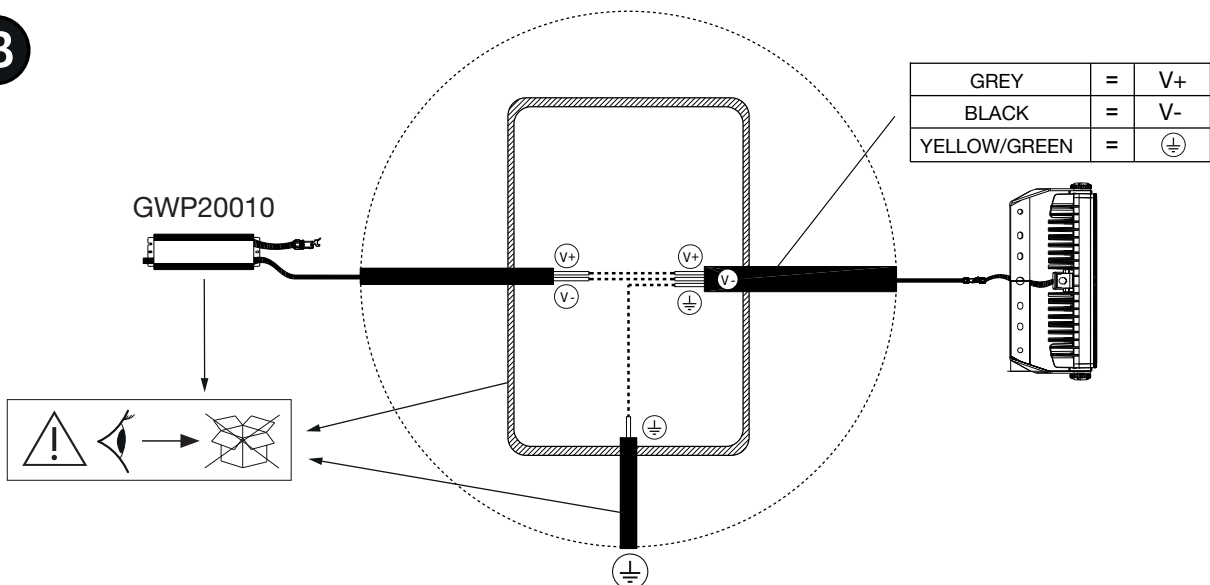
GWP20010



GWP20010	320W

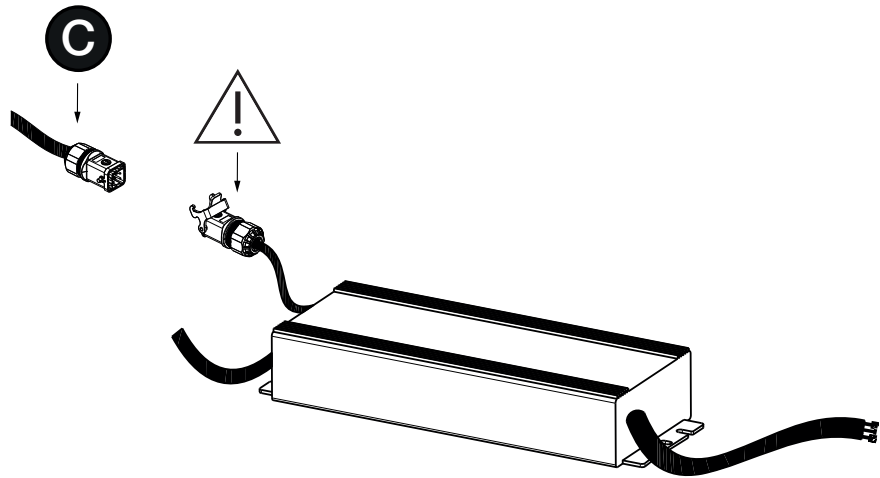


**B**

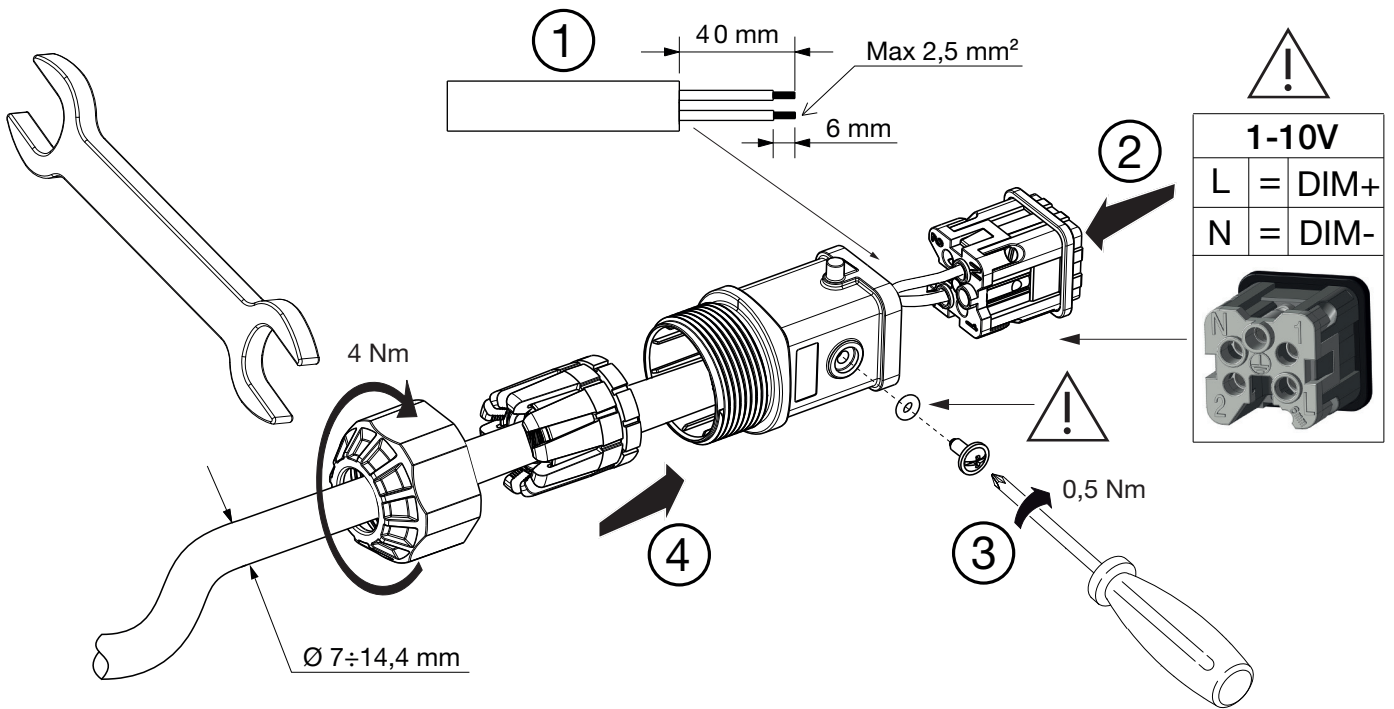




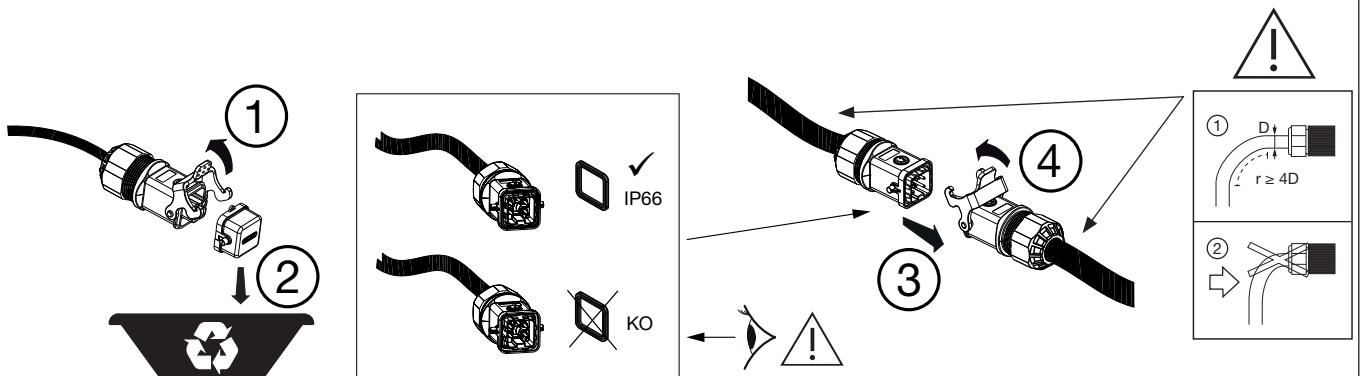
1-10V

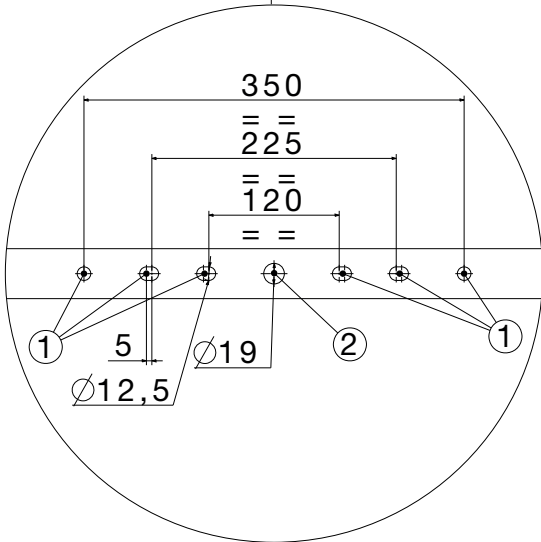
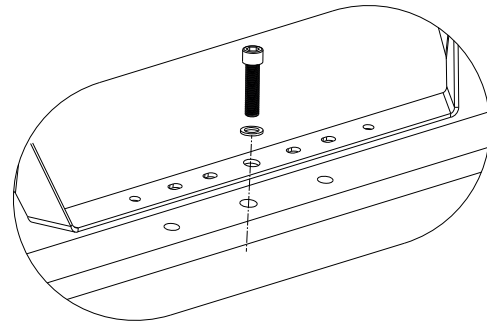
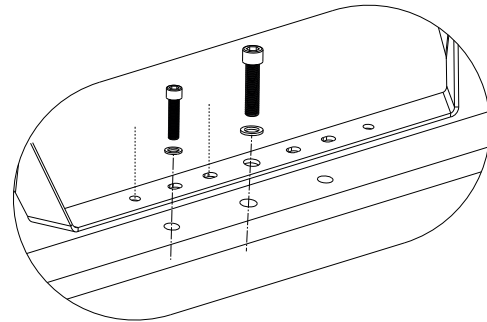
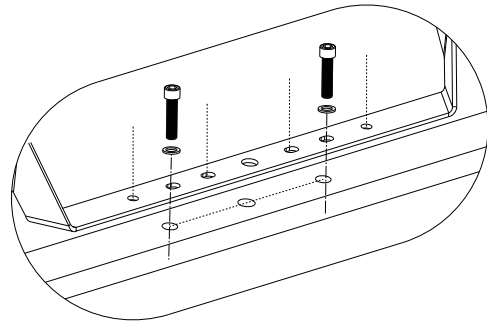
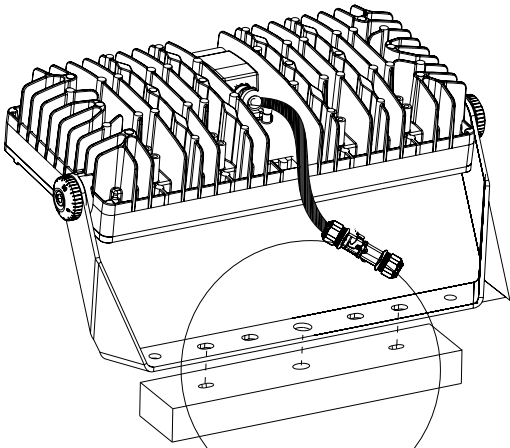






**C**

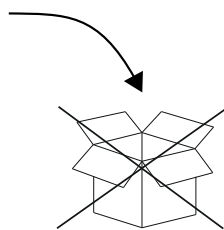


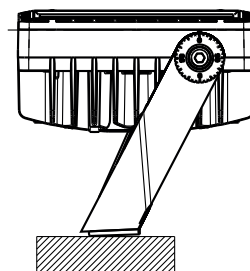
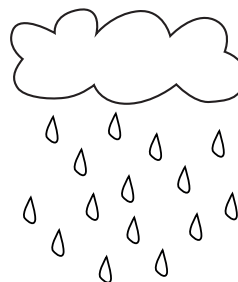
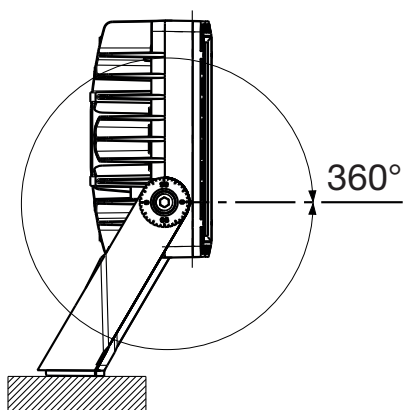
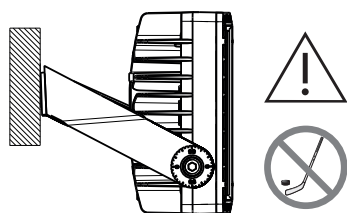
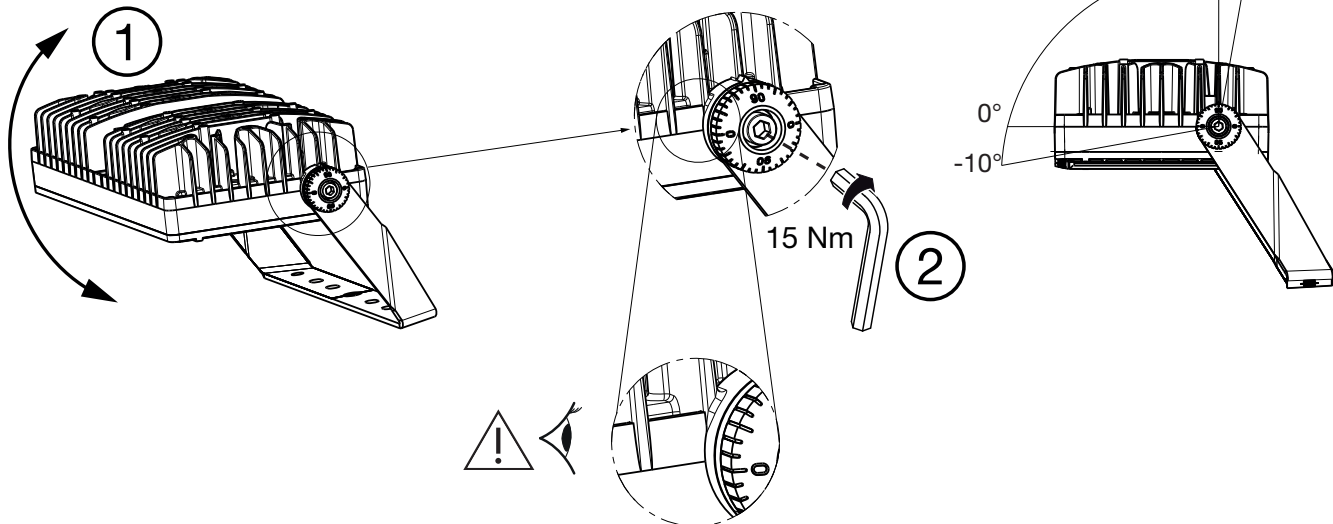
!	
<b>1-10V</b>	
L	= DIM+
N	= DIM-





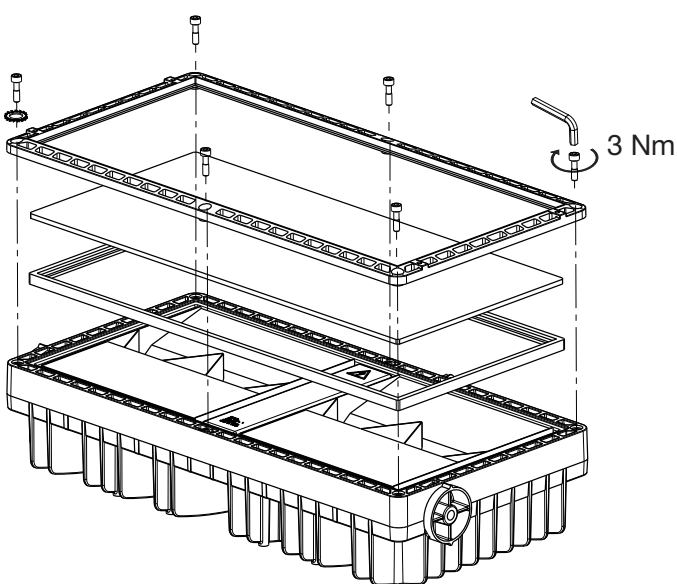


- |   |   |
|---|---|
| ① |  M12     |
|   |  DIN7980 |
| ② |  M18     |
|   |  DIN7980 |

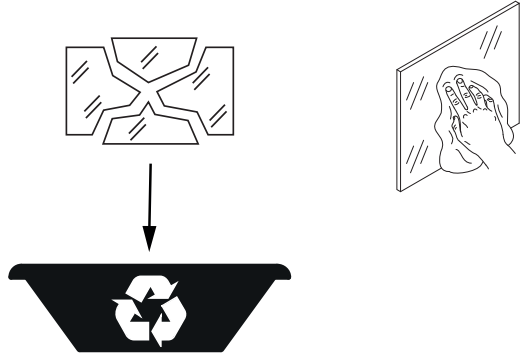








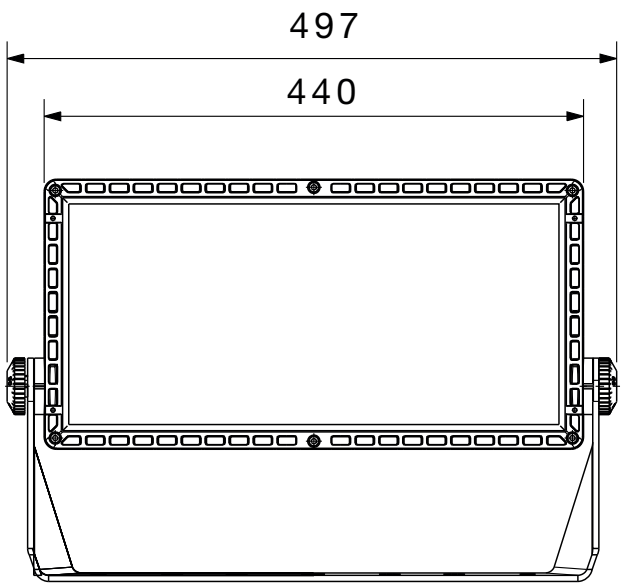


3 Nm



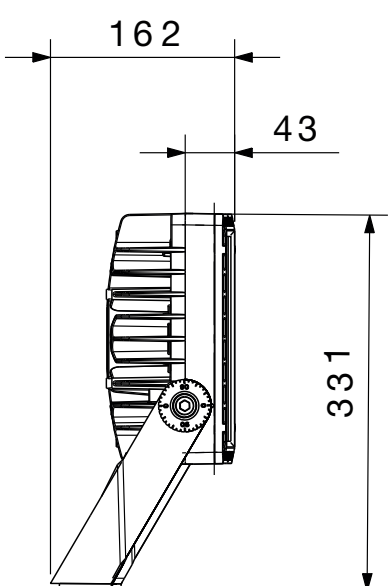
	OPTICS				
	SN	SW	SM	ASW	ALW
GWP20402	✓	✓	✓		
GWP20404				✓	✓





497

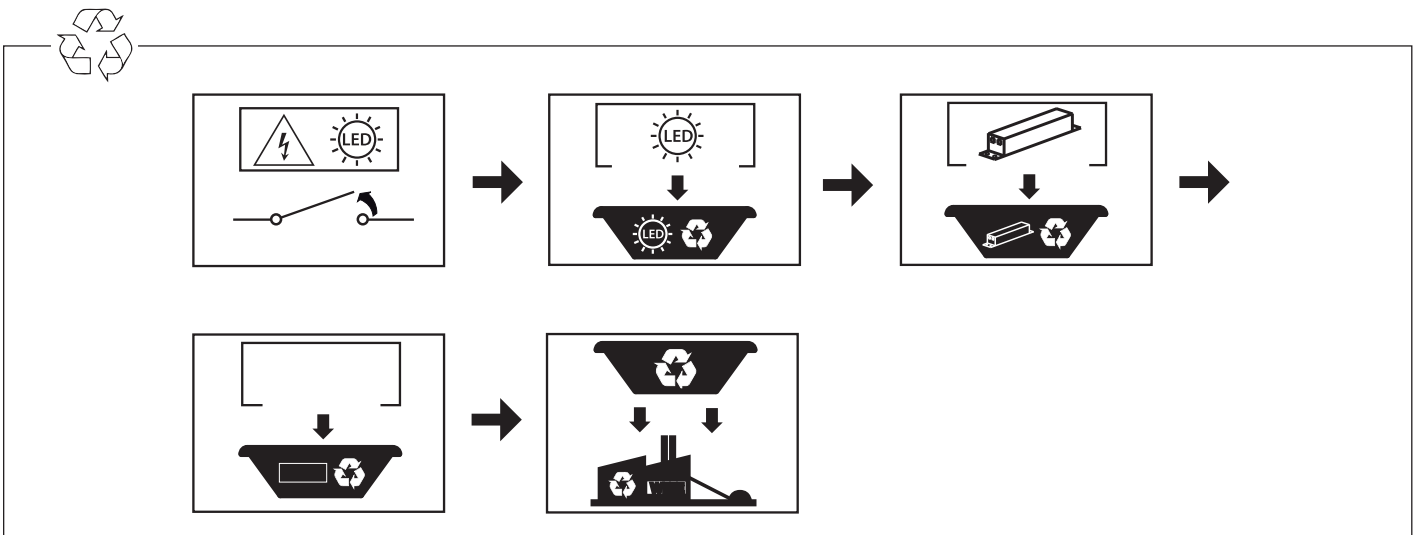
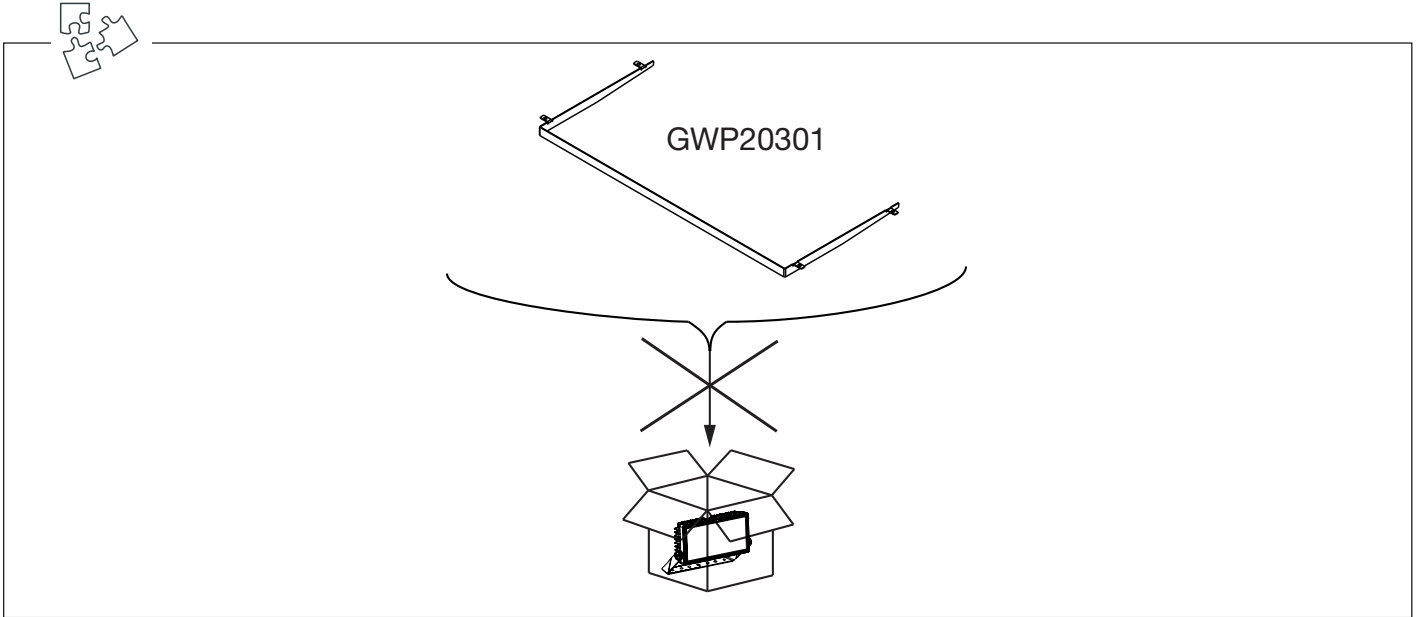
440



162

43

331



Punto di contatto indicato in adempimento ai fini delle direttive e regolamenti UE applicabili:

Contact details according to the relevant European Directives and Regulations:

GEWISS S.p.A. Via A.Volta, 1 IT-24069 Cenate Sotto (BG) Italy tel: +39 035 946 111 E-mail: qualitymarks@gewiss.com

According to applicable UK regulations, the company responsible for placing the goods in UK market is:

GEWISS UK LTD - Unity House, Compass Point Business Park, 9 Stocks Bridge Way, ST IVES  
Cambridgeshire, PE27 5JL, United Kingdom tel: +44 1954 712757 E-mail: gewiss-uk@gewiss.com



**+39 035 946 111**  
8.30 - 12.30 / 14.00 - 18.00  
lunedì ÷ venerdì - monday ÷ friday



**+39 035 946 260**



**sat@gewiss.com**  
**www.gewiss.com**