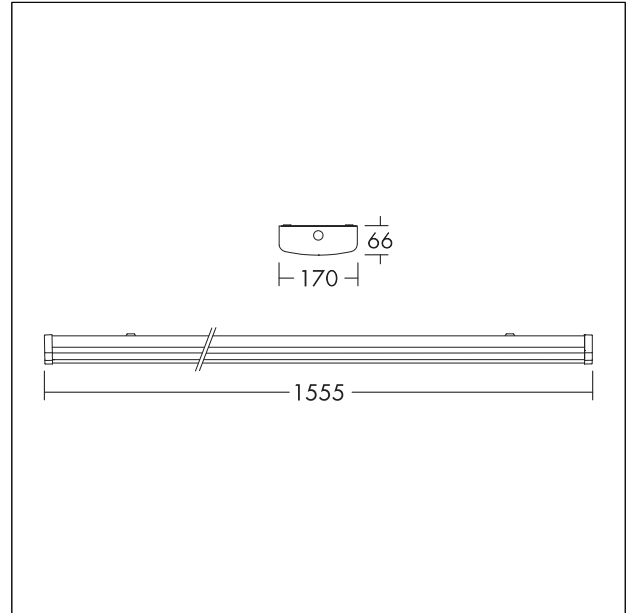


IP44 LED Diffuser luminaire

IP44 LED Diffuser luminaire with prismatic optic for indoor applications. Total luminous flux: 7000 lm. Luminaire input power: 47 W. CCT adjustable via switch for 3000K, 3500K or 4000K. Lifetime: 100.000hrs @L70. Chromaticity tolerance (initial MacAdam): 3. Lumen package adjustable on site by 3 steps (FLEX @ 4000K: Flex 1: 7000 lm (47W), Flex 2: 5250 lm (36W), Flex 3: 3500 lm (24W)) - For flex data on other colour temperatures please visit website. Dimensions: 1555 x 170 x 60 mm, weight: 2.75 kg



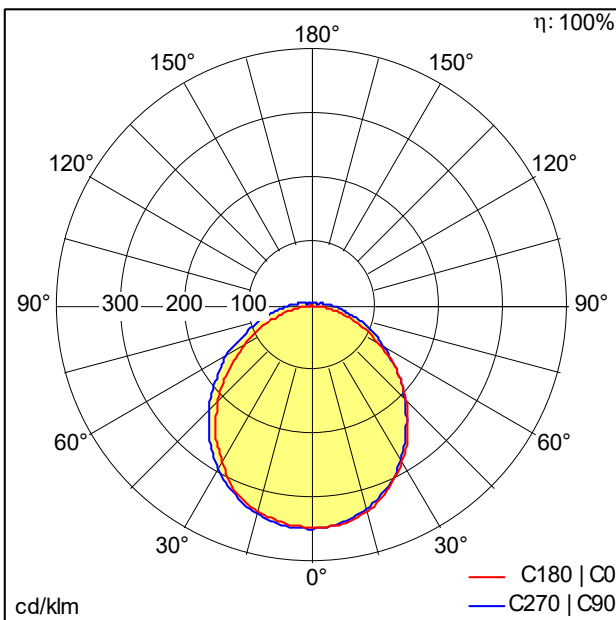
TE_FREJAVARIOFLEX_F_1500_Persp.jpg



TE_FREJAVARIOFLEX_M_L.wmf

Light Distribution

STD - standard



TE_FREJA_VARIOFLEX_1500_7000_840_FLEX1.idt

- Light Source: LED
- Luminaire luminous flux*: 6993 lm
- Luminaire efficacy*: 149 lm/W
- Colour Rendering Index min.: 80
- Correlated colour temperature*: 3000-4000 Kelvin
- Chromaticity tolerance (initial MacAdam): 3
- Rated median useful life*: L70 100000 h at 25 °C
- Ballast: 1x LED_Con
- Luminaire input power*: 47 W Power factor = 0.9
- Dimming: Fixed output
- Maintenance category CIE 97: D - Enclosed IP2X
- Total harmonic distortion (THD): 20.00 %

This product contains a light source of energy efficiency class C.

All values marked with an * are rated values. Connected electrical load and luminous flux are subject to an initial tolerance of +/- 10%, the most similar colour temperature is subject to an initial tolerance of +/- 150K. Unless stated otherwise, the values apply to an ambient temperature of 25°C.