


52103103	<b>DATA SHEET</b>	
Valid from: 03.07.2018	<b>SKINDICHT® BL-M ATEX</b>	

The SKINDICHT® BL-M ATEX nickel plated brass blind plug with guiding notch for O-Ring (recessed) and metric connecting thread acc. to EN 60423 for ensuring the protection class for existing thread holes which are not use.



**Components:**

Body	Brass, nickel-plated
O-Ring	NBR

**Technical features:**

Connecting thread	M12x1,5 up to M63x1,5 acc. to EN 60423
Protection Class	IP66 and IP68 - 5 bar, test acc. to EN 60529
Temperature Range	-30 °C up to +90 °C

**Approvals:**



EC Type Examination Certificate	IBExU 03 ATEX 1011
IECEx Certificate	IECEx IBE 13.0029x

**Category:** Equipment Group II / Category 2G and 1D

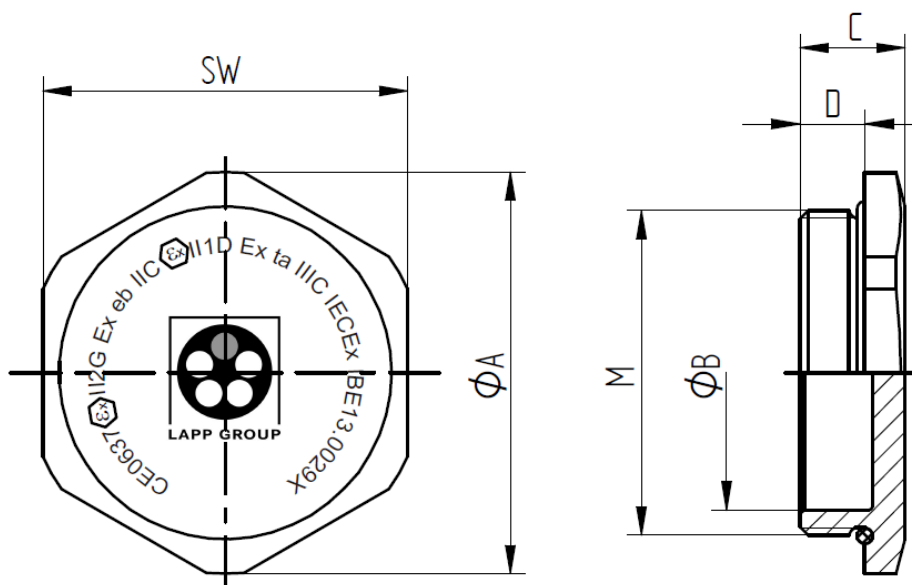
**Norm references:**



**Application range:** Devices, machines and industrial equipment  
Mobile offshore and marine applications  
Chemical and petrochemical industry

Creator: T. Dvoulety /PDP Released: DAMU1/PDP	Document: DB52103103EN Version: 04	Page 1 of 2
--	---------------------------------------	-------------

52103103	<b>DATA SHEET</b>	
Valid from: 03.07.2018	<b>SKINDICHT® BL-M ATEX</b>	



M	SW [mm]	Ø A [mm]	Ø B [mm]	C [mm]	D [mm]	Article No.
M12x1,5	16	17,8	8,2	8	5	52103103
M16x1,5	20	22	12,1	8	5	52103113
M20x1,5	24	26,4	16	9,5	6	52103123
M25x1,5	29	31,9	20	11	7	52103133
M32x1,5	36	39,6	26,2	12	8	52103143
M40x1,5	45	49,5	33,8	13	8	52103153
M50x1,5	54	59	42,2	15	9	52103163
M63x1,5	67	73,5	55	16	10	52103173

For more information please see our current catalogue. Please do not hesitate to contact our laboratory if there are any questions regarding resistance against aggressive agents and special oil.

Creator: T. Dvoulety /PDP Released: DAMU1/PDP	Document: DB52103103EN Version: 04	Page 2 of 2
--	---------------------------------------	-------------