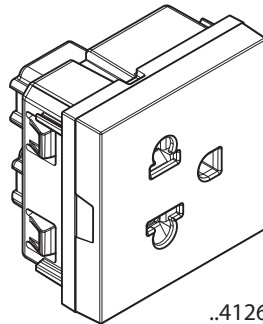
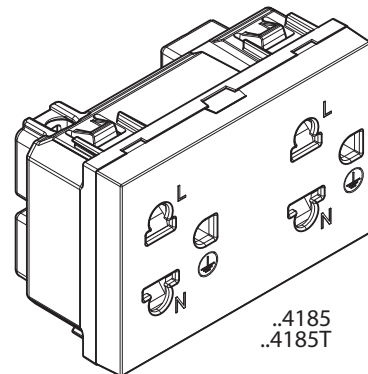


..4125



..4126



..4185  
..4185T

### Use

Socket outlets for: Euro-American standard plugs.

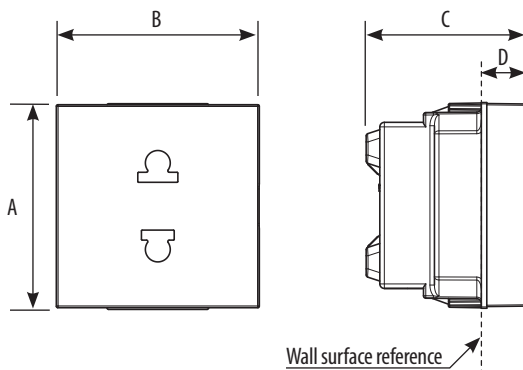
### Range

Designation	Item	Related cover
Socket 2P 16A 127/250 V a.c. shielded holes	<input type="checkbox"/> KW4125	<input type="checkbox"/> KW51
	<input checked="" type="checkbox"/> KG4125	<input checked="" type="checkbox"/> KG51
	<input type="checkbox"/> KM4125	<input type="checkbox"/> KM51
Socket 2P+T 16 A 127/250 V a.c. shielded holes	<input type="checkbox"/> KW4126	<input type="checkbox"/> KW51
	<input checked="" type="checkbox"/> KG4126	<input checked="" type="checkbox"/> KG51
	<input type="checkbox"/> KM4126	<input type="checkbox"/> KM51
Socket duplex 2P+T 15 A 127/250 V a.c. shielded holes without frontal Marking (LN ground)	<input type="checkbox"/> KW4185	<input type="checkbox"/> KW52
	<input checked="" type="checkbox"/> KG4185	<input checked="" type="checkbox"/> KG52
	<input type="checkbox"/> KM4185	<input type="checkbox"/> KM52
Socket duplex 2P+T 15 A 127/250 V a.c. shielded holes	<input type="checkbox"/> KW4185T	<input type="checkbox"/> KW52
	<input checked="" type="checkbox"/> KG4185T	<input checked="" type="checkbox"/> KG52
	<input type="checkbox"/> KM4185T	<input type="checkbox"/> KM52

Colours code:

- White
- Black
- Sand

### Overall dimensions (mm)



	A	B	C	D
..4125	44.6	44.6	35.3	10
..4126	44.7	45.2	32.3	10
..4185/..4185T	45.2	67.3	34	10

### Connection

Terminal type: screw clamp  
Terminal capacity: 2 x 4 mm<sup>2</sup> max  
Stripping length: 11 mm  
Compatible with flexible or rigid cables

### Technical characteristics

#### - Protection index

(considering a complete installation, including cover plate)  
Penetration by solid bodies/liquid: IP20D considering complete installation

#### - Mechanical characteristics

Impact test: IK 04

#### - Material characteristics

Material:  
Case and Key cover: PC (Polycarbonate)  
Halogen free.

UV resistant.

Self-extinguishing:

850° C / 30 s for insulating parts holding live parts in place  
650° C / 30 s for other parts made of insulating materials

#### - Electrical characteristics

Voltage: 127/250 VAC  
Current: 16 A

#### - Climatic characteristics

Storage temperature: - 10° C to + 70° C  
Use temperature: - 5° C to + 35° C

### Cleaning

Clean the surface with a cloth.  
Do not use acetone, tar-removing cleaning agents or trichloroethylene.  
**Caution: Always test before using special cleaning products.**

### Standards and approvals

Compliance with standards IEC 60884-1  
Refer to e.catalogue.