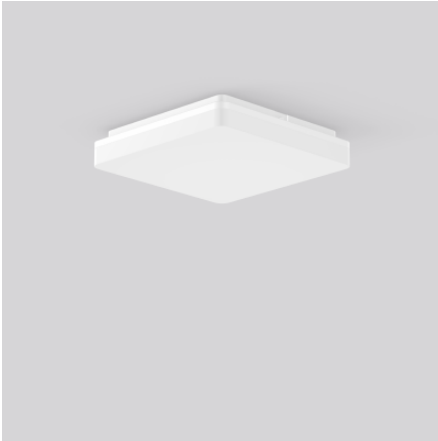


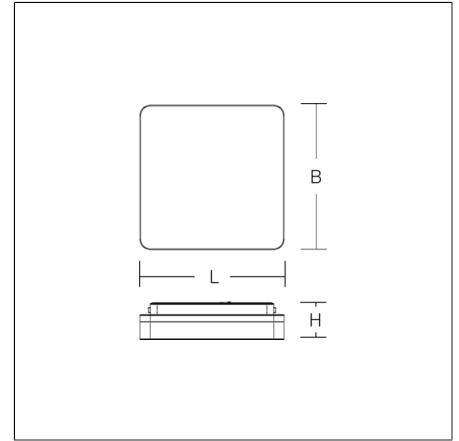
HB 506

221189.002.2 | Ceiling and wall luminaires



Ceiling and wall luminaires
4051859443902
L 260, B 260, H 53

Ceiling mounting, Wall (surface)
white



Ceiling and wall luminaire with slim design. Housing: plastic (polycarbonate). Diffuser: plastic (polycarbonate), opal. Base and diffuser are sealed together. MultiColour: Colour temperature adjustable via switching element. Choice of 3000 K or 4000 K. Factory setting is 3000 K. Quick mounting adapter galvanized steel sheet, with fastening screws. Driver integrated.

Product specifications

Length L	260 mm
Width B	260 mm
Height H	53 mm
Weight	1.17 kg
Light source	LED
Colour temperature	3000 K 4000 K
Rated luminous flux	3000 K: 1700 lm
	4000 K: 1800 lm
System power	3000 K: 18 W
	4000 K: 18 W
System efficiency	3000 K: 94 lm/W
	4000 K: 100 lm/W
Glare evaluation UGR (4H 8H)	3000 K: 22,3
	4000 K: 22,4
Beam angle	down 119°/120° 120°/120° up 180°/180°
Rated life	35000 h (L70/B50)
Colour rendering index (CRI)	80
Photobiological safety according to EN 62471	Risk group 0
Driver	Electronic ballast
Control	on/off
Voltage	220 - 240 V / 50 Hz
Luminaires on B10A fuse	31
Luminaires on B16A fuse	49
Luminaires on C10A fuse	31
Luminaires on C16A fuse	49
CIE Flux Code / CEN Flux Code	43 74 93 91 100
Type of protection	IP 20
Protection class	I
Filament test	850°C - 30 seconds
Impact resistance	IK06
Ambient temperature	-20 °C ... + 40 °C
Conformity mark	CE, EAC