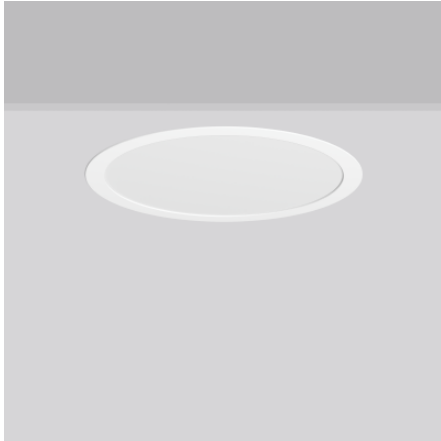


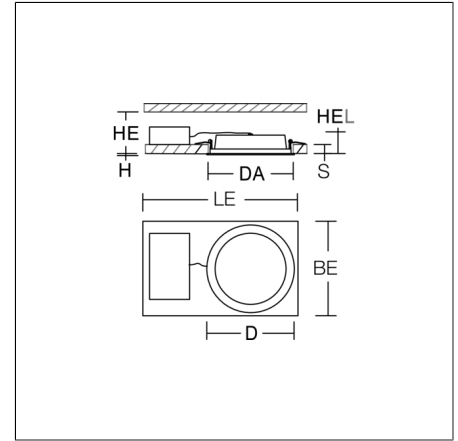
# TOLEDO FLAT+ round

901810.002.2.76 | Recessed downlights



Recessed downlights  
4051859931225  
D 390, H 2

Recessed ceiling mounting  
white



Flexible round recessed multifunction downlight. Housing: sheet steel, powder-coated. Luminaire frame: aluminium, powder-coated. Light guide and diffuser made of non-yellowing PMMA, opal matt. LED backlight technology for homogeneous illumination of the entire light-emitting surface. Tunable white dynamically adjustable from 2700 K to 6500 K. Suitable for Recessed ceiling mounting. Ceiling installation with spring system. Can be directly covered with thermal insulation material (applies only to the lower lumen levels). Including separate LED converter with connecting cable 250 mm. Surface mounted housing as accessory for all sizes.

## Product specifications

Diameter D	390 mm
Height H	2 mm
Cut-out diameter DA	377 mm
Luminaire: recess height HEL	40 mm
Ceiling thickness S	1-20 mm
Installation space length LE	580 mm
Installation space width BE	490 mm
Installation space height HE	60 mm
Weight	1.28 kg
Light source	LED
Colour temperature	2700 - 6500 K
Rated luminous flux	1950...2050 lm
System power	17...17 W
System efficiency	115...121 lm/W
Beam angle	113°
Rated life	50000 h (L80/B10)
Colour rendering index (CRI)	80
Colour tolerance	3
Photobiological safety according to EN 62471	Risk group 1
Driver	Converter, dimmable
Control	DALI
Voltage	220 - 240 V / 50 Hz, 60 Hz
Luminaires on B10A fuse	18
Luminaires on B16A fuse	30
Luminaires on C10A fuse	31
Luminaires on C16A fuse	51
Inrush current / Inrush current duration	29 A / 153 µs
CIE Flux Code / CEN Flux Code	47 79 96 100 100
Type of protection	IP 54 on room side IP 20
Protection class	II
Filament test	650 °C
Impact resistance	IK03
Ambient temperature	-20 °C ... + 35 °C
Safety marks	Do not cover the recessed luminaire!
Conformity mark	CE, EAC

# TOLEDO FLAT+ round

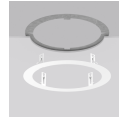
901810.002.2.76 | Recessed downlights



## Accessories



982919.002  
Surface mounted housing



983079.002  
refurbishment frames for recessed luminaires