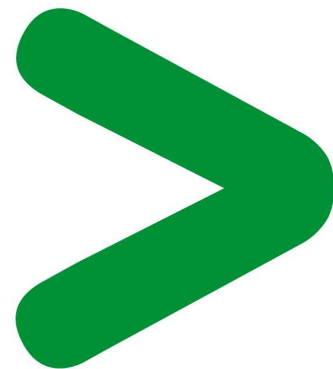


Product End-of-Life Instructions

**EASYPACT CVS 100–250A
CVS250F TM250D 3P3D**



Product End-of-Life Instructions – EoLI

Product overview

Product Range: **EASYPACT 100~250**

Marketing Model/Name: **EASYPACT CVS 100-250 - CVS250F TM250D 3P3D_LV525333**

Size: **H x L x D in mm = 105 x 161 x 86**

Weight in g = **1890 g**

Purpose

The product family must be disposed according to the legislation of the country. This document is intended for use by end of life recyclers or treatment facilities. It provides the basic information to assure an appropriate end of life treatment for the components and materials of the product.

Note:

This product family is in the scope of European Union directive 2012/19/EU on Waste Electrical and Electronic Equipment (WEEE).

Additional information

Energy-efficiency:

This product family is available with following phases: Active and off mode power demand. The availability of modes is as follow: Product dissipation is 5.0625 W 30% in active mode and 0W at 70% in off mode, loading rate is 30% and service uptime percentage is 100%.

Resource-efficiency:

The recyclability potential of the products has been evaluated using the “ECO DEEE recyclability and recoverability calculation method” (version V1, 20 Sep. 2008 presented to the French Agency for Environment and Energy Management: ADEME).

According to this method, the potential recyclability ratio without packaging is: **56%**.

As described in the recyclability calculation method this ratio includes only metals and plastics which have proven industrial recycling processes.

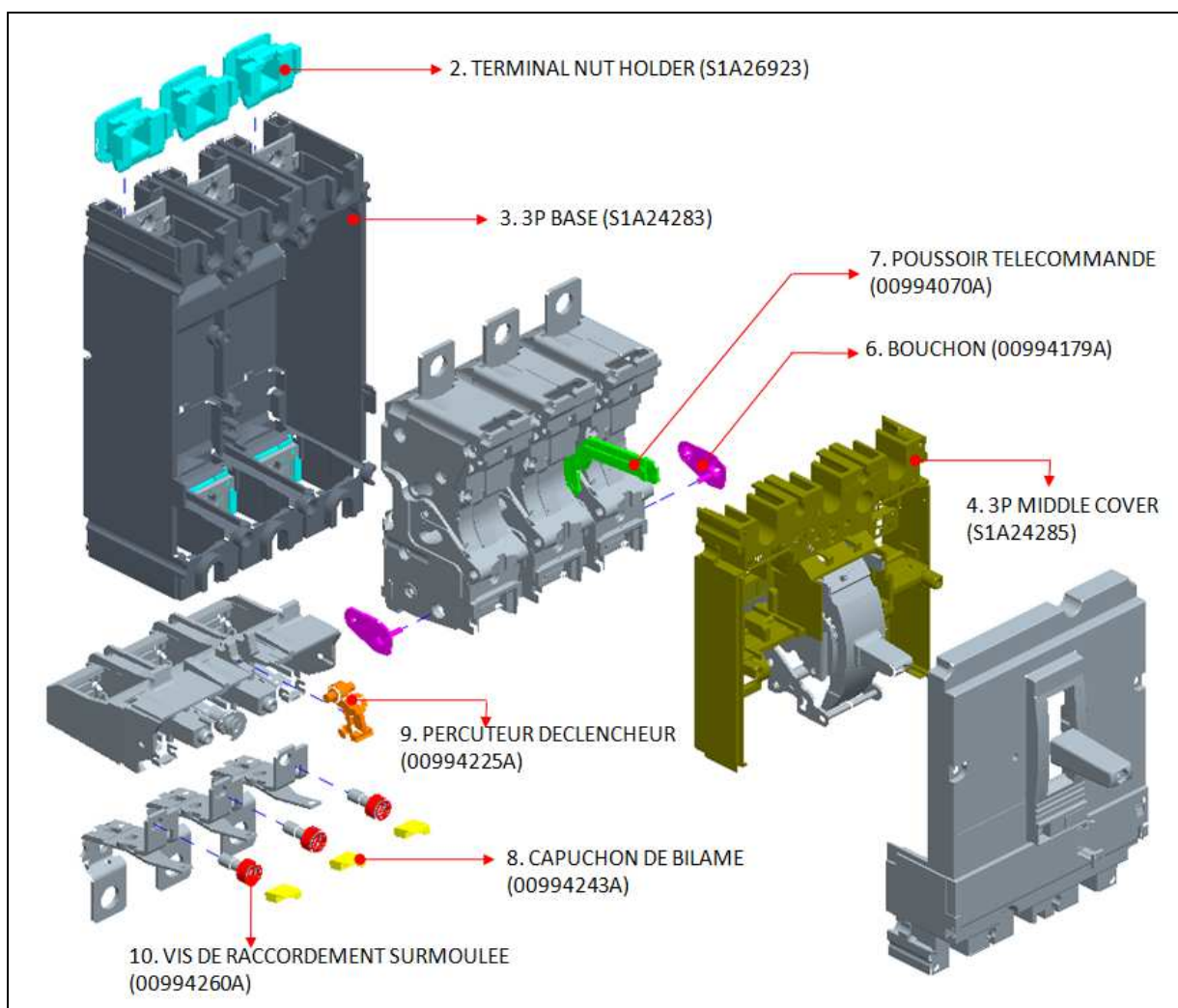
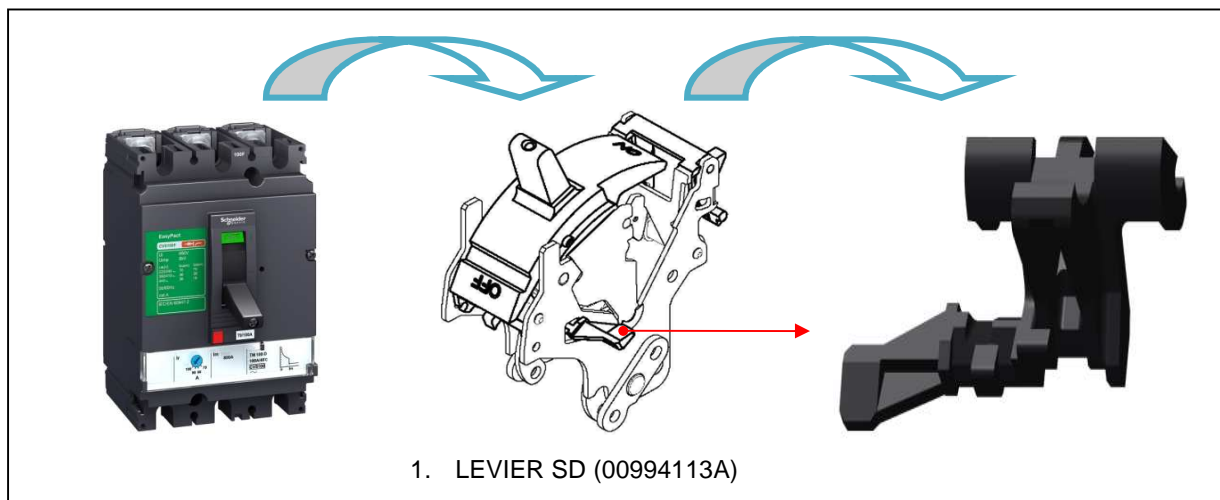
Operations recommended for the end of life treatment

There are several steps to process the products at the end of life so as to recover components, materials or energy :

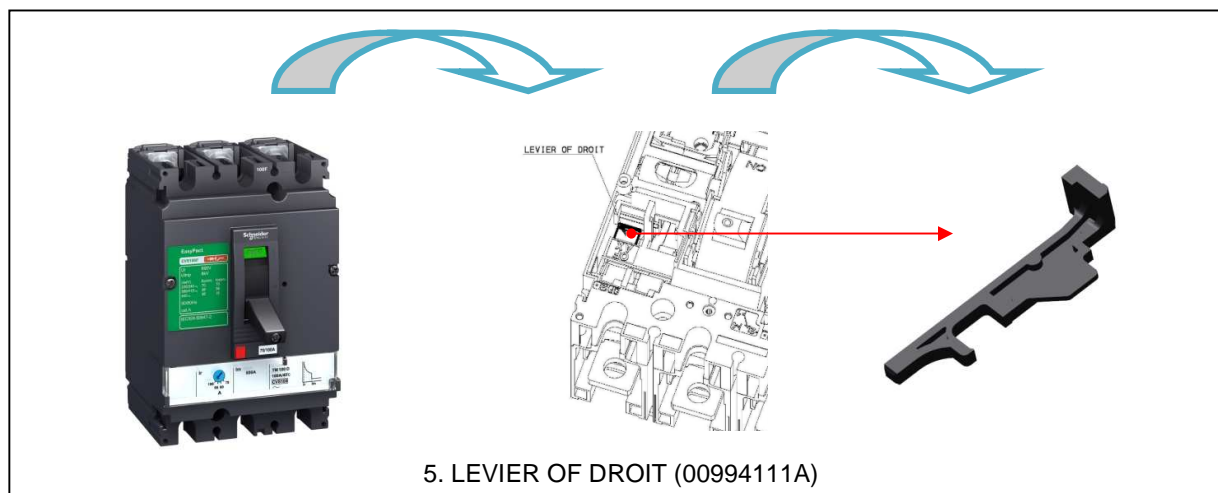
Reuse → Separation for special treatment → Other dismantling → Shredding

Product End-of-Life Instructions – EoLI

The components of the products that optimize the recycling performances are listed, identified and located hereunder.



Product End-of-Life Instructions – EoLI



Number	Part Number	Components Description	Weight (in g)	Material
Plastic parts with brominated FR				
1	00994113A	LEVIER SD	1.83g	PC GF20 FR(17) BLACK
2	S1A26923	TERMINAL NUT HOLDER	28.97g	PBT GF30 FR(17) GREY
3	S1A24283	3P BASE	193.95g	PBT GF30 FR(17) GREY
4	S1A24285	3P MIDDLE COVER	57.12g	PC GF10 FR GREY
5	00994111A	LEVIER OF DROIT	1.03g	PC GF10 FR(40) GREY
6	00994179A	BOUCHON	1.18g	PBT GF30 FR(17) NATURAL
7	00994070A	POUSSOIR TELECOMMANDE	1.83g	PA46 GF30 FR(17) BLACK
8	00994243A	CAPUCHON DE BILAME	1.30g	PA46 GF30 FR(17) NATURAL
9	00994225A	PERCUTEUR DECLENCHEUR	1.60g	PA46 GF30 FR(17) NATURAL
10	00994260A	VIS DE RACCORDEMENT SURMOULEE	0.67	PA46 GF30 FR(17) BLACK

EoLI achieved with Schneider-Electric TT03 V6 procedure

Schneider Electric Industries SAS

35, rue Joseph Monier
CS 30323
F- 92506 Rueil Malmaison Cedex
RCS Nanterre 954 503 439
Capital social 896 313 776 €

www.schneider-electric.com