


55503220	DATA SHEET	
Valid from: 03.07.2018	SILVYN® LCG-M	

The SILVYN® LCG-M is a conduit fitting, which forms a liquid-tight and easy to install unit in conjunction with the protective conduit SILVYN® LCC-2 or LCCH-2 and with a continuous grounding.

Material: Body – Nickel plated brass
Sealing – Polyamide

Features: High tensile strength
High mechanical strength
Oil resistant
Corrosion resistant

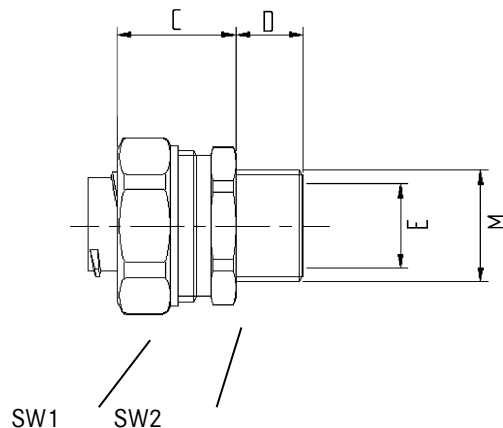
Temperature range: -50°C up to +135°C



Norm Reference: 
Conforms to DIN EN IEC 61386

Protection class: IP 65

Suitable Conduits: SILVYN® LCC-2
SILVYN® LCCH-2



Dimension table:

Part No.	Part name	Thread M	Nominal size	Length C mm	Thread length D mm	Inner Ø E mm	SW 1	SW 2
5550 3220	SILVYN® LCG-M 12x1,5	M 12x1,5	10	19,8	10	5,6	20	20
5550 3221	SILVYN® LCG-M 16x1,5/1	M 16x1,5	12	19,8	10	8,6	22	20
5550 3222	SILVYN® LCG-M 16x1,5/2	M 16x1,5	16	21,0	12	11,5	26	24
5550 3223	SILVYN® LCG-M 20x1,5/1	M 20x1,5	16	21,0	12	11,5	26	24
5550 3224	SILVYN® LCG-M 20x1,5/2	M 20x1,5	20	21,5	12	15,3	29	26
5550 3225	SILVYN® LCG-M 25x1,5	M 25x1,5	25	26,5	14	19,1	35	33
5550 3226	SILVYN® LCG-M 32x1,5	M 32x1,5	32	30,8	15	26,0	42	40
5550 3227	SILVYN® LCG-M 40x1,5	M 40x1,5	40	31,5	16	34,6	58	56
5550 3228	SILVYN® LCG-M 50x1,5	M 50x1,5	50	35,0	16	44,7	70	70

For more information please see our current catalogue. Please do not hesitate to contact our laboratory if there are any questions regarding resistance against aggressive agents and special oil.

Creator: M. Wegerer /PDP Released: DAMU1/PDP	Document: DB55503220EN Version: 02	Page 1 of 1
---	---------------------------------------	-------------