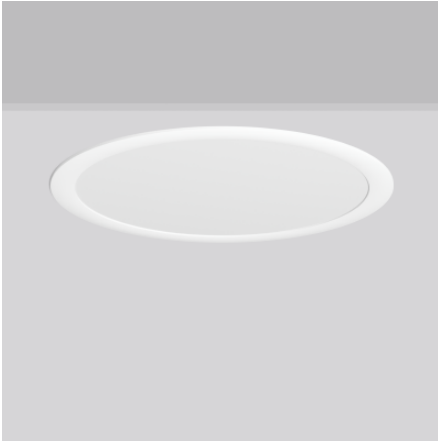


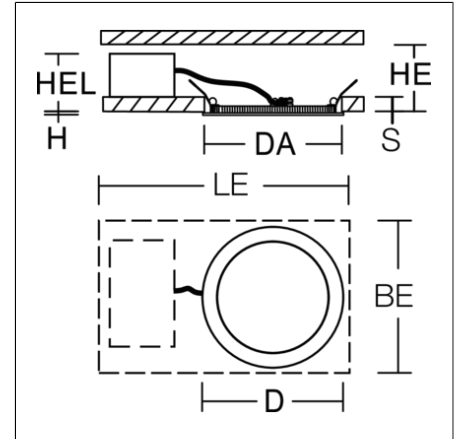
# TOLEDO FLAT round

## 901585.002 | Recessed downlights



Recessed downlights  
4051859151715  
D 495, H 6

Recessed ceiling mounting  
white



Ultra thin recessed downlight. Housing: die-cast aluminium. Light guide and diffuser made of non-yellowing PMMA, opal matt. Ceiling installation with spring system. Mounting depth depends on ceiling strength. Including separate LED converter with connecting cable 250 mm. Suitable for through-wiring with separately available accessories. Surface mounted housing as accessory for all sizes. Retrofittable decorative cylinders made of chintz fabric as accessory, optional with satin finish plastic diffuser. Through-wiring box (5 pole) available as accessory.

### Product specifications

Diameter D	495 mm
Height H	6 mm
Cut-out diameter DA	470 mm
Luminaire: recess height HEL	31-51 mm
Ceiling thickness S	1-20 mm
Installation space length LE	660 mm
Installation space width BE	600 mm
Installation space height HE	40-59 mm
Weight	2.43 kg
Light source	LED
Colour temperature	3000 K
Rated luminous flux	3550 lm
System power	30 W
System efficiency	118 lm/W
Glare evaluation UGR (4H 8H)	23,9
Beam angle	113°
Rated life	50000 h (L80/B50)
Colour rendering index (CRI)	80
Colour tolerance	4
Photobiological safety according to EN 62471	Risk group 0
Driver	Converter
Control	on/off
Voltage	220 - 240 V / 50 - 60 Hz
Inrush current / Inrush current duration	/ 206 µs
CIE Flux Code / CEN Flux Code	47 79 95 100 100
Type of protection	IP 54 on room side IP 20
Protection class	II
Filament test	650°C - 30 seconds
Impact resistance	IK06
Ambient temperature	-20 °C ... + 35 °C
Safety marks	Do not cover the recessed luminaire!
Conformity mark	CE, EAC

# TOLEDO FLAT round

901585.002 | Recessed downlights

## Accessories



982182.002  
Insert frames for modular grid ceilings 600.



982183.002  
Insert frames for modular grid ceilings 625.



982181.002  
Surface mounted housing



982323.002  
Chintz decorative cylinder



982703.002  
Through-wiring box