

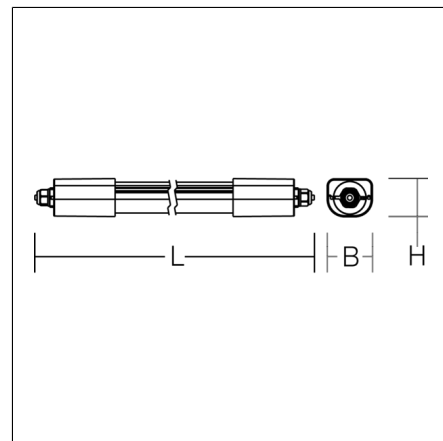
PLANOX ECO

451241.009 | Surface-mounted damp-proof luminaires



Ceiling and wall luminaires
4068754000765
L 799, B 62, H 50

Ceiling mounting, pendant, Wall (surface)
grey



Moisture-proof luminaire with slim, flat housing. Side panels: plastic, grey polycarbonate, shockproof. Diffuser made of plastic (polycarbonate), opal, shockproof. Diffuser is extruded, prismatic inside and UV-resistant. Symmetrical light distribution. Homogeneous light distribution. Indirect light to illuminate the ceiling. Flexible installation thanks to sliding mounting brackets. Ideal for luminaire replacement. Ceiling mounting stainless steel brackets and triangular brackets for pendant mounting included in delivery. Luminaire with integrated 4-phase through-wiring to connect multiple luminaires. Cable screw fittings for convenient wiring. Easy installation thanks to removable plug-in connection and twist lock on both sides. LED unit with integrated converter interchangeable and removable. MultiLumen: 2 steps adjustable luminous flux. Factory setting is the highest luminous flux. Luminaires with limited surface temperature in accordance with EN 60598-2-24 for use in environments in which a deposit of conductive dust on the luminaire can be expected. Qualified for use in the food and drink industry.

Product specifications

Length L	799 mm
Width B	62 mm
Height H	50 mm
Weight	0.57 kg
Light source	LED
Colour temperature	4000 K
Rated luminous flux	1100 lm 2100 lm
System power	7.5 W 15 W
System efficiency	140 lm/W 147 lm/W
Glare evaluation UGR (4H 8H)	23,1 25,3
Beam angle	down 165°/111° up 180°/98°
Rated life	50000 h (L80/B10)
Colour rendering index (CRI)	80
Colour tolerance	3
Photobiological safety according to EN 62471	Risk group 0
Driver	Converter
Control	on/off
Voltage	220 - 240 V / 50 Hz, 60 Hz
Luminaires on B10A fuse	16
Luminaires on B16A fuse	26
Luminaires on C10A fuse	33
Luminaires on C16A fuse	53
Inrush current / Inrush current duration	42 A / 50 µs
CIE Flux Code / CEN Flux Code	37 66 87 79 100
Type of protection	IP 66
Protection class	II
Filament test	850 °C
Impact resistance	IK08
Ambient temperature	-30 °C ... + 50 °C
Safety marks	D-mark
Conformity mark	CE, EAC

PLANOX ECO

451241.009 | Surface-mounted damp-proof luminaires



Accessories



982430.000

Mounting brackets made of stainless steel (theft protection) for ceiling and wall mounting.

Spareparts



982179.009

End piece for turn lock fastener.