
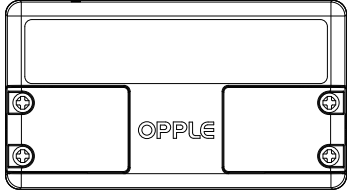
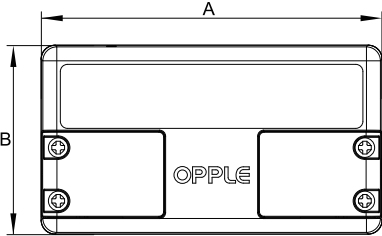


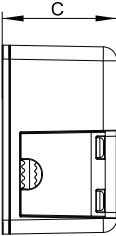
## LED Smart-BLE2-Relay-1000W

Item Code		
821017003800	0.084kg	





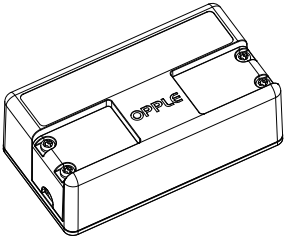
A: 96mm  
B: 53mm



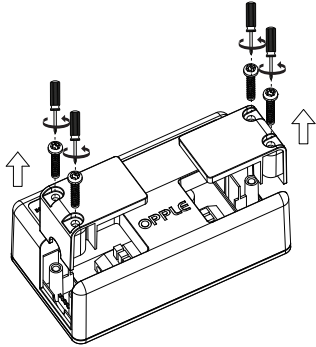
C: 32mm

Type	A (mm)	B (mm)	C (mm)
RY-IOT-CBX-1000W01-BLE	96	53	32

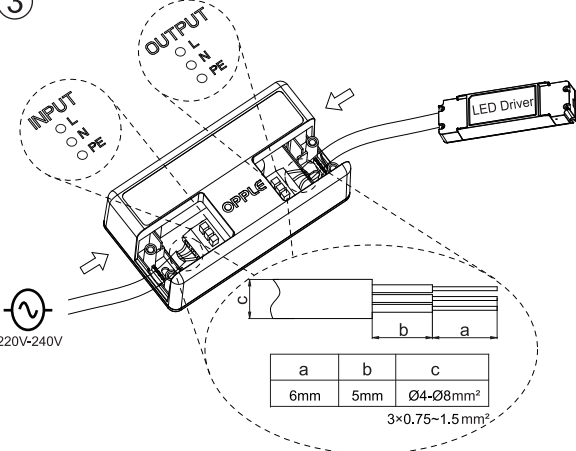
①



②



③



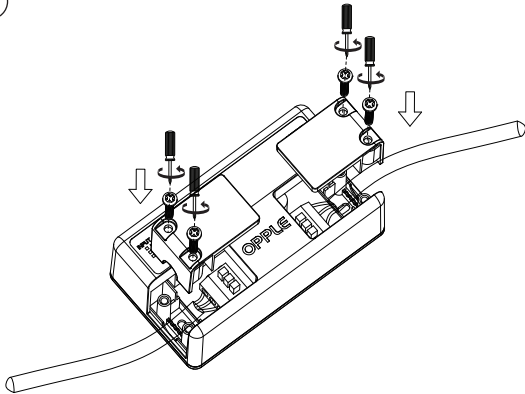
INPUT: L, N, PE  
OUTPUT: L, N, PE

LED Driver

220V-240V

a	b	c
6mm	5mm	Ø4-Ø8mm <sup>2</sup>
3×0.75-1.5mm <sup>2</sup>		

④



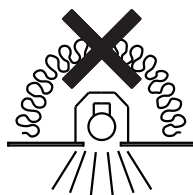
## Main specification:

No.	Characteristic	Content
1	Purpose of control	Electronic switch
2	Degree of pollution	2
3	Rated impulse withstand voltage	2500V
4	Duty type	Continuous duty
5	Type and connection of switch	One way switch, single pole, single load (single-pole disconnection)
6	The type of load	Inductive load with a power factor not less than 0.6
7	Proof tracking index	PTI175
8	Degree of protection provided by enclosure	IP20
9	Rating of associated current fuse(F1)	Type:SMT-T-1A-TIMELAG-250V Rated parameter:1A/250V Rated breaking current:35A, Function : Overcurrent protection for auxiliary power circuit
10	Rating of associated current fuse(F2)	Type:5N-T10AH-250V Rated parameter:10A/250V Rated breaking current:1500A, Function : Series in L line for overcurrent protection of main loop
11	Type of Cable	H05VV-F, 3G0.75 or 3G1.0 or 3G1.5.
12	Supply connection	Screwless-type terminal
13	Cross-sectional area	0.75-1.5mm <sup>2</sup>

Bluetooth Operating frequency: 2402-2480MHz

Bluetooth Max. Transmission Power:<20dBm

- The Smart Relay LED indicator will blink if the connected devices surpass the 1000W load limit
- To avoid overload, the Smart Relay will automatically shut off if the connected devices load surpasses 1200W
- This BLE accessory can only be used with luminaires



Do not cover with insulation material