


53112210	DATA SHEET	
Valid from: 03.07.2018	SKINTOP® MS-SC / MS-SC-XL	

The SKINTOP® MS-SC is a nickel-plated brass cable gland designed especially for copper-screened cables to achieve a low-resistance screen contact, strain relief and high protection class. The SKINTOP® MS-SC / MS-SC-XL is not qualified for cases twisting a gland after inserting the cable (e.g. circular connectors).
The SKINTOP® MS-SC-XL is constructed identically as SKINTOP® MS-SC but with long connecting thread.



Components:

Gland body	Brass, nickel-plated
Cap nut	Brass, nickel-plated
Insert with lamellar cage	Polyamide
Sealing ring	CR
Contact spring	CuBe, tin-plated
O-ring	NBR


Technical features:

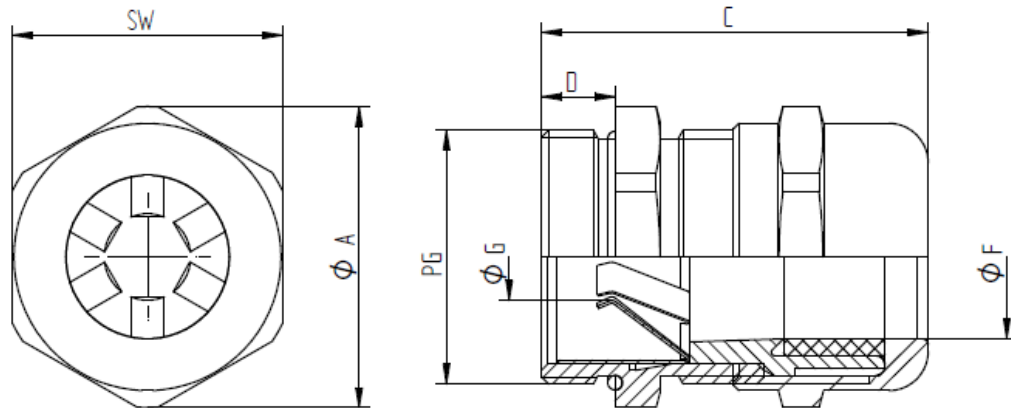
Connecting thread	PG9 up to PG36 acc. to DIN 40430
Functional thread	PG9 up to PG36 acc. to DIN 40430
Protection class	IP68 - 5 bar, test acc. to EN 60529
Temperature range	-25 °C up to +100 °C

Norm references:



Creator: T. Dvoulety /PDP Released: DAMU1/PDP	Document: DB53112210EN Version: 04	Page 1 of 2
--------------------------------------------------	---------------------------------------	-------------

53112210	DATA SHEET	
Valid from: 03.07.2018	SKINTOP® MS-SC / MS-SC-XL	



SKINTOP® MS-SC

PG	SW [mm]	Ø A [mm]	C [mm]		D [mm]	Ø F [mm] Clamping range	Ø G [mm]	O-Ring [mm]	Artikel-Nr.
			min.	max.					
PG9	17	18,9	23,5	29,0	6,0	3-8	4	13x1,5	53112210
PG11	20	22,2	25,5	32,0	6,0	4-10	4	16x1,5	53112220
PG13,5	22	24,4	26,0	34,0	6,5	5-12	4	18x1,5	53112230
PG16	24	26,7	27,8	35,0	6,5	8-14	6	20x1,5	53112240
PG21	30	33,5	31,5	40,0	7,0	11-18	8	26x2	53112250
PG29	40	43,5	37,2	48,0	8,0	16-25	13	34x2	53112260
PG36	50	54,0	49,8	62,0	15,0	19-32	16	44x2	53112270

SKINTOP® MS-SC-XL

PG	SW [mm]	Ø A [mm]	C [mm]		D [mm]	Ø F [mm] Clamping range	Ø G [mm]	O-Ring [mm]	Artikel-Nr.
			min.	max.					
PG9	17	18,9	29,5	35,0	12	3-8	4	13x1,5	5311 2310
PG11	20	22,2	31,5	38,0	12	4-10	4	16x1,5	5311 2320
PG13,5	22	24,4	31,5	39,5	12	5-12	4	18x1,5	5311 2330
PG16	24	26,7	33,3	40,5	12	8-14	6	20x1,5	5311 2340
PG21	30	33,5	36,5	45,0	12	11-18	8	26x2	5311 2350
PG29	40	43,5	41,2	52,0	15	16-25	13	34x2	5311 2360

Recommended torque rates acc. to DIN VDE 06 19:

Größen	Drehmoment [Nm]
PG9 - PG13,5	6,25
PG16	7,5
PG21 - PG36	10

For more information please see our current catalogue. Please do not hesitate to contact our laboratory if there are any questions regarding resistance against aggressive agents and special oil.

Creator: T. Dvoulety /PDP Released: DAMU1/PDP	Document: DB53112210EN Version: 04	Page 2 of 2
--------------------------------------------------	---------------------------------------	-------------