

# Circularity Profile

## Modicon ABLM Modular Regulated Power Supply



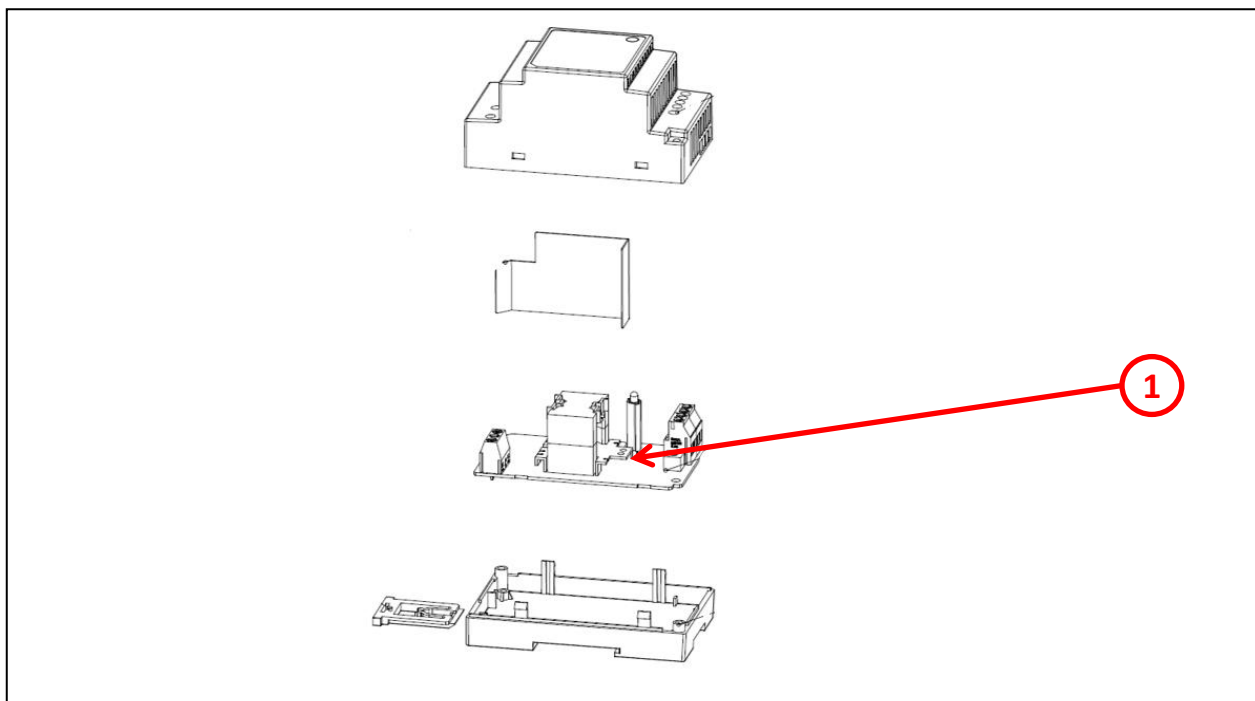


## Potential disassembly risks

The Circularity profile provides information about preparation for re-use and treatment. It identifies the relevant EEE components and materials as well as their location. Safety instructions for product dismantling and depollution are provided into the User manual or maintenance guide.



## End of Life Instructions



Recommendation	Number on drawing	Component / Material	Weight (in g)	Comment
To be depolluted	1	Electronic Board (Power) > 10cm <sup>2</sup>	135	



## Product description

Manufacturer identification	Schneider Electric Industries SAS
Brand name	Schneider Electric
Product function	The ABLM Modular type meets all the needs of simple automation systems with power ratings from 10 to 60W and an output voltage of 5 V, 12 V or 24 VDC.
Product reference	ABLM1A24025
Additional similar product references	ABLM1A24025 ABLM1A12010 ABLM1A24006 ABLM1A05036 ABLM1A12021 ABLM1A24012 ABLM1A12042 ABLM1A24025 ABLS1A24021 ABLS1A24038
Total representative product mass	186.3 g
Representative product dimensions	91mm x 53mm x 55.6mm
Date of information release	03/2020



## Additional information

Legal information	This product family is in the scope of European Union directive 2012/19/EU on Waste Electrical and Electronic Equipment (WEEE). The product family must be disposed according to the legislation of the country. This document is intended for use by end of life recyclers or treatment facilities. It provides the basic information to assure an appropriate end of life treatment for the components and materials of the product.	
Recyclability potential	<b>12%</b>	Based on "ECO'DEEE recyclability and recoverability calculation method" (version V1, 20 Sep. 2008 presented to the French Agency for Environment and Energy Management: ADEME).

Schneider Electric Industries SAS

Country Customer Care Center  
<http://www.schneider-electric.com/contact>

35, rue Joseph Monier

CS 30323

F- 92506 Rueil Malmaison Cedex

RCS Nanterre 954 503 439

Capital social 896 313 776 €

[www.schneider-electric.com](http://www.schneider-electric.com)

Published by Schneider Electric

ENVEOLI2004005\_V1

© 2020 - Schneider Electric – All rights reserved

03/2020