

Product Data Sheet

GW76943

GW FIT Range



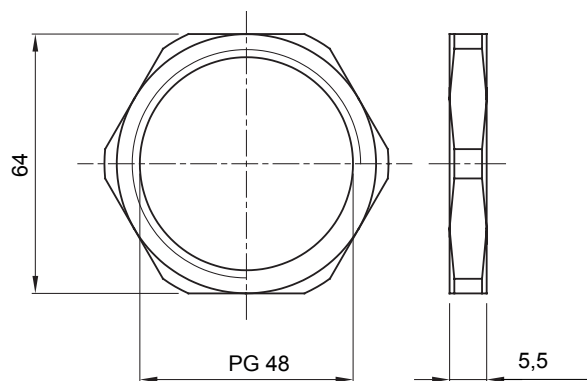
Systems of accessories for electrical installations used for residential, tertiary and industrial applications. The system consists of fasteners for pipes and cables, cable fittings, accessories for rigid pipes (RK Series) and flexible conduit (DF Series). The system include also a wide variety of cable ties (52FS Range) and terminal blocks (44 Range).

| | | | |
|--------------------------|---------------------|---------------|------|
| Material | Nickel-plated brass | Type of pitch | PG48 |
| Area | 1 (G) - 20 (D) | Electrocod | 230 |
| Installation temperature | Fixing nut | | |

BEHAVIOUR WITH CHEMICAL AND ATMOSPHERIC AGENTS

| Saline solution | Acids | | Bases | | Solvents | | | | Mineral oil | UV rays |
|-----------------|--------------|-----------|--------------|-----------|-----------|-----------|-----------|---------------|-------------|-----------|
| | Concentrated | Diluted | Concentrated | Diluted | Hexane | Benzol | Acetone | Ethyl alcohol | | |
| Resistant | Resistant | Resistant | Resistant | Resistant | Resistant | Resistant | Resistant | Resistant | Resistant | Resistant |

DIMENSIONAL



TECHNICAL SYMBOLOGY STANDARDS/APPROVALS