

Midi free-standing Beacons / Permanent Light 826 Permanent Beacon BM 12-230VAC/DC YE



Part No.: 826.300.00



MECHANICAL DATA

| | |
|------------------------------|--------------------------------|
| Height | 137 mm |
| Diameter | 98 mm |
| Materials | PC PC/ABS |
| Dome colour | Yellow |
| Housing colour | Black |
| Protection category | IP65 |
| Connection | Insulation-displacement contac |
| cross-sectional area maximum | 1,50mm ² / 16AWG |
| Cable entry | Rubber pinch |
| Cable entry minimum | d = 5 mm |
| Cable entry maximum | d = 7 mm |
| Type of fixing | Base mounting |
| Working temperature minimum | -20°C |
| Working temperature maximum | +50°C |
| Weight with packaging | 228 g |
| Product weight | 183 g |

ELECTRICAL DATA

| | |
|------------------------|--------------------------|
| Operating voltage | 12-230V |
| Operating voltage type | AC/DC |
| Protection class | Protection class 2 |
| Pollution degree | 3 |
| Overvoltage category | II |
| Isolation voltage | Ui = 250V; Uimp = 2.500V |
| Power illuminant | max. 15W |

OPTICAL DATA

| | |
|----------------------|-----------------|
| Light colour | Yellow |
| Service life optical | depends on bulb |
| Lamp fitting/socket | BA15d |

APPROVAL DATA

| | |
|------------------------------|-------|
| Conforms with CE | Yes |
| Conforms with RoHS directive | Yes |
| WEEE | Yes |
| Conforms with ATEX-directive | No |
| Conforms with CCC | Yes |
| Conforms with UL | cULus |

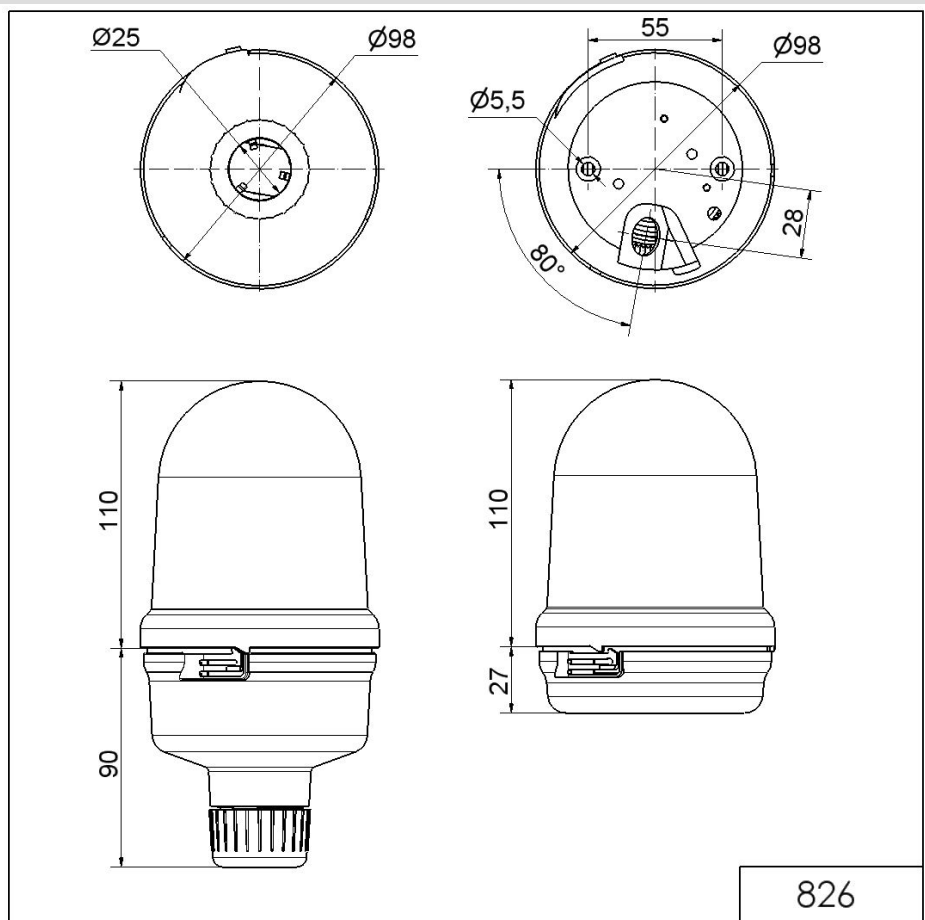


For additional installation and mounting information, refer to the appropriate user guide at www.werma.com. This printed copy is for information only and is subject to alteration.

Midi free-standing Beacons / Permanent Light 826
Permanent Beacon BM 12-230VAC/DC YE

| | |
|-------------------------------|-----------------------|
| UL Type Rating | Type 12 |
| Conforms with FCC | No |
| Conforms with IC | No |
| EAC certificate available | Yes |
| Conforms with UKCA (Importer) | Yes (WERMA (UK) Ltd.) |
| Conforms with AS-I | No |
| ICAO Certification | No |
| Conforms with DNV | No |
| Conforms with RoHS CN | No |
| Conforms with VdS | No |

DRAWING



! For additional installation and mounting information, refer to the appropriate user guide at www.werma.com. This printed copy is for information only and is subject to alteration.