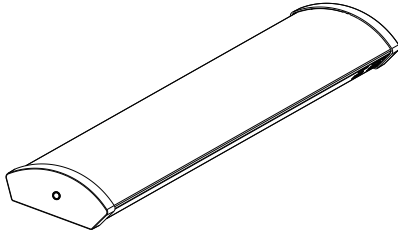
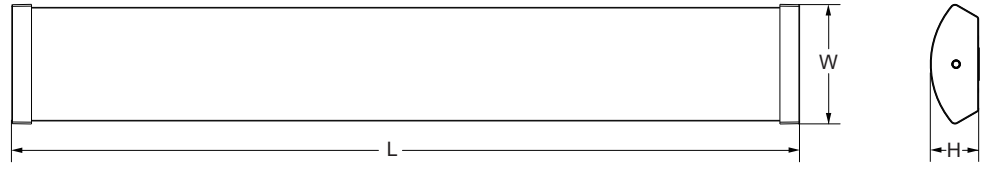


LED Ceiling Light Linear

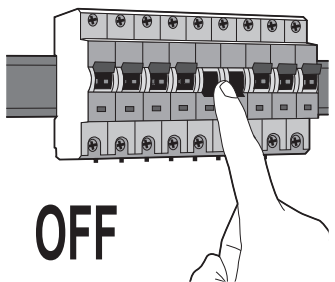
| Item Code | CCT | kg |
|--------------|-------|---------|
| 529001001000 | 3000K | 1.468kg |
| 529001001100 | 4000K | 1.468kg |
| 542005039700 | 3000K | 2.8kg |
| 542005039800 | 4000K | 2.8kg |
| 542005039900 | 3000K | 3.3kg |
| 542005040000 | 4000K | 3.3kg |

| Model | L (mm) | W (mm) | H (mm) |
|-----------------------|--------|--------|--------|
| LED Linear-E CL06 20W | 601 | 183 | 74 |
| LED Linear-E CL12 40W | 1200 | 182 | 74 |
| LED Linear-E CL15 50W | 1500 | 182 | 74 |

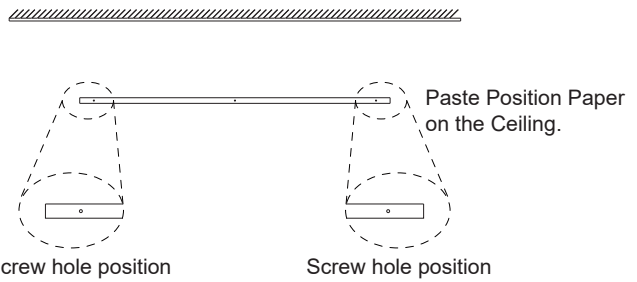
Surface Mounted

①



OFF

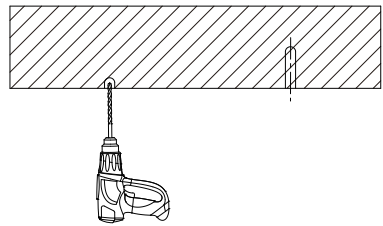
②



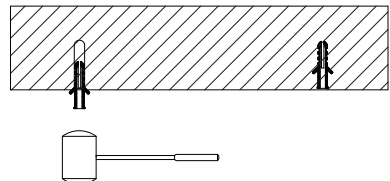
Paste Position Paper on the Ceiling.

Screw hole position Screw hole position

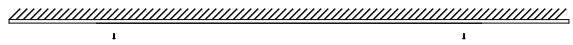
③



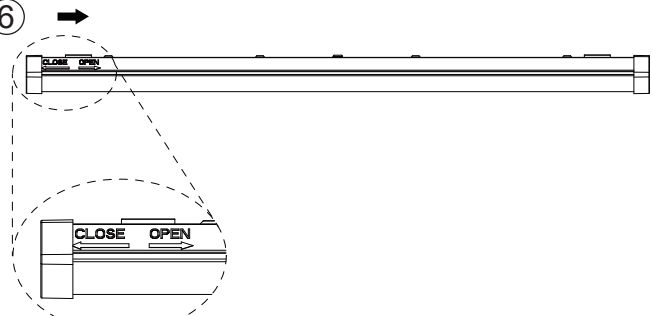
④



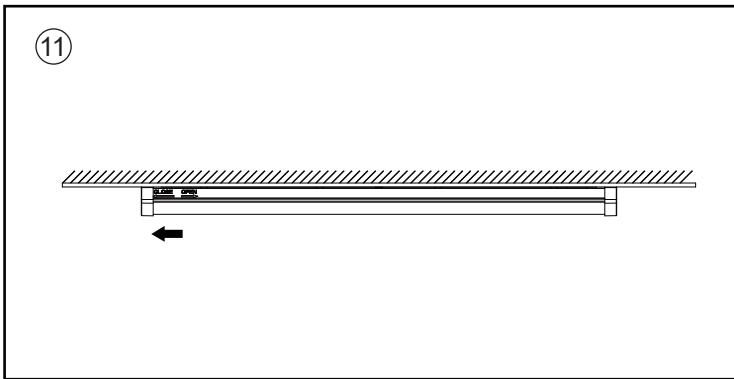
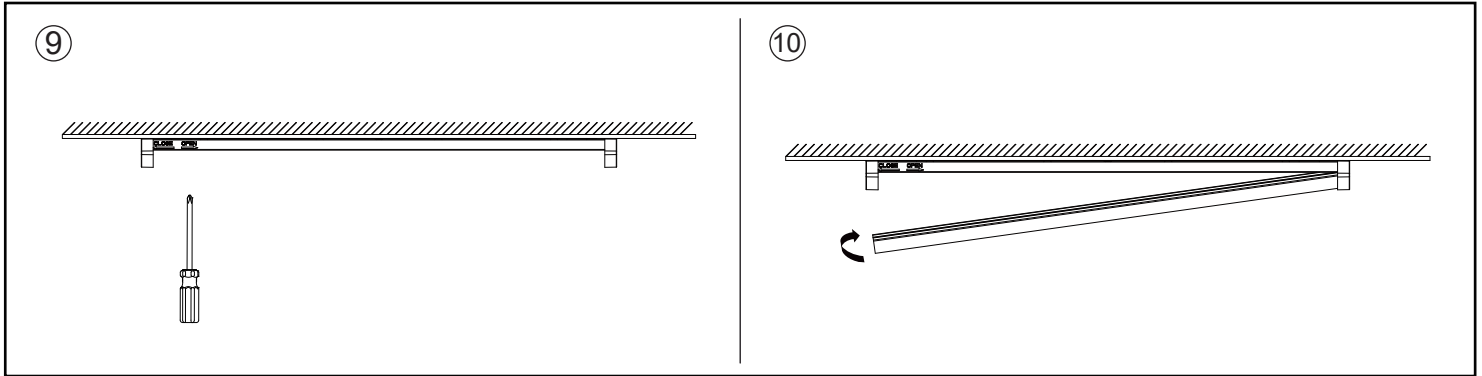
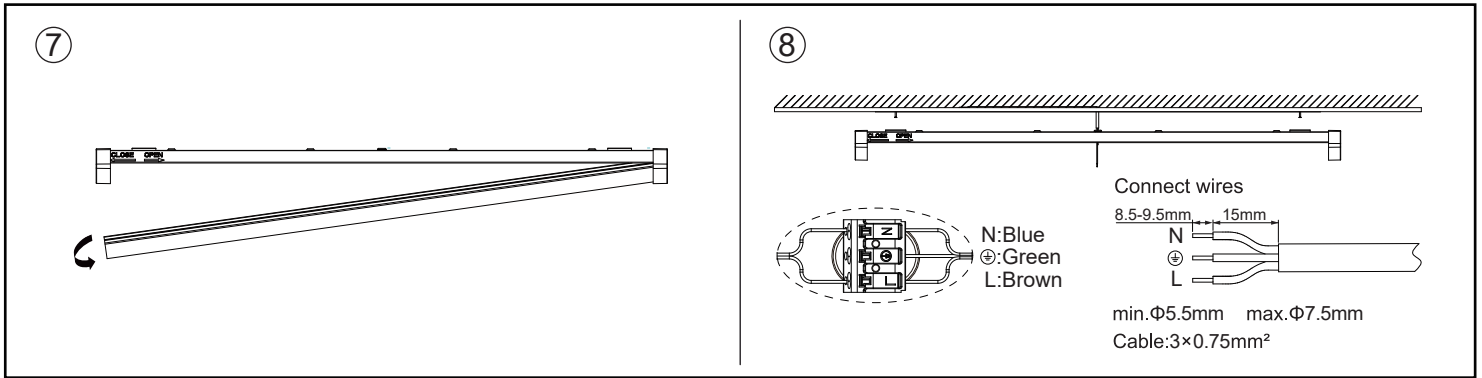
⑤



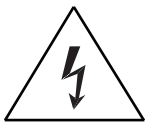
⑥



CLOSE OPEN



Caution:Any operation on LED module is forbidden while power-on.



For non-user replaceable light sources.
The light source contained in this luminaire shall only be replaced by the the manufacturer or his service agent or a similar qualified person.

