

Universal rotary dimmer insert

Operating instructions



Art. no. SBD420RCRL, SBD600RCRL

For your safety

- DANGER**
Risk of death from electric shock.
All work on the device should only be carried out by trained and skilled electricians. Observe the country-specific regulations.
- DANGER**
Risk of death from electric shock.
The outputs may carry an electrical current even when the device is switched off. Always disconnect the fuse in the incoming circuit from the supply before working on connected loads.

Rotary dimmer insert – introduction

With the Universal rotary dimmer insert for capacitive and inductive loads (referred to below as the **dimmer**), you can switch and dim ohmic, capacitive or inductive loads such as:

- Incandescent lamps and 230 V halogen lamps,
- Low-voltage halogen lamps with dimmable, inductive transformers,
- Low-voltage halogen lamps with dimmable, electronic transformers.

The dimmer detects the type of load connected automatically.

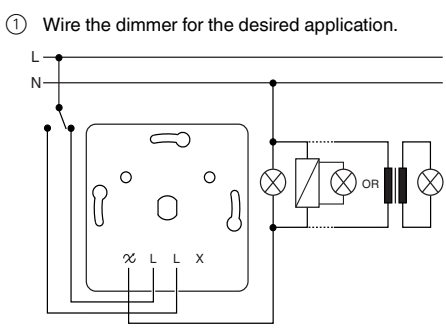
- CAUTION The device or the load can become damaged!**
 - Always operate the device with the specified minimum load.
 - Protect the circuit with 10 A if further loads are to be looped on the X terminal of the device.
 - Never connect capacitive and inductive loads at the same time.
 - Only connect dimmable transformers.

Installing the dimmer

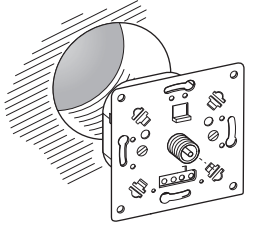
i The maximum allowed load is reduced due to the decreased heat dissipation when the device is not installed into a single standard flush-mounted mounting box as shown below:

Load reduction by	Mounted in cavity walls *	Several installed together in combination *	In 1-gang or 2-gang surface-mounted housing	in 3-gang surface-mounted housing
25 %	x	x		
30 %			x	
50 %				x

* If several factors apply, add the load reductions together



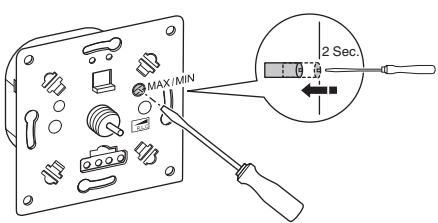
② Install the dimmer.



Set the minimum brightness and maximum brightness of the lamps.

i The connected lamps should glow with a minimum brightness when the dimmer is switched-on and when the rotary switch has been dimmed down.
Set the values for the background brightness and the maximum brightness before installing the covers.

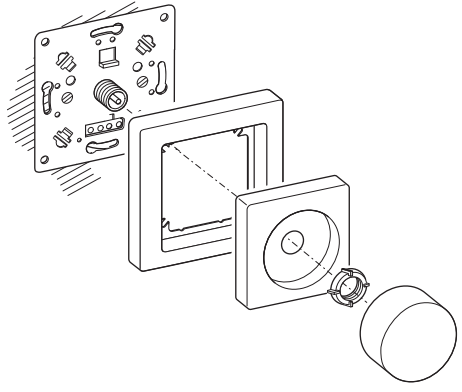
- ① Press the rotary knob: the dimmer is switched-on.
- ② Turn the rotary knob anti-clockwise: the dimmer dims down to the preset minimum value (= background brightness).



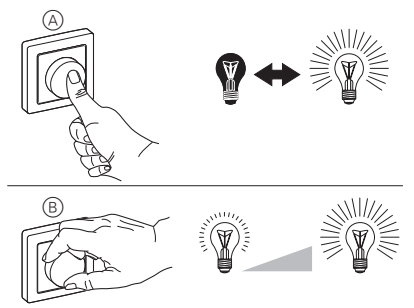
- ③ Push in the micro button (MAX/MIN) with a suitable tool (e.g. a screwdriver). After 2 s, the dimmer dims down to the absolute minimum value.
- ④ Keep the micro button pressed and move the rotary knob clockwise: the minimum value is changed.
- ⑤ Release the micro button as soon as the desired background brightness has been reached: the new minimum value is stored.

i Modifying the maximum brightness works the same way.

Mounting the covers and the knob



Operating the dimmer



- A Press the rotary knob: the connected lamps are switched-on or off.
- B Turn the rotary knob either clockwise or anti-clockwise: the connected lamps are dimmed brighter or darker.

What should I do if there is a problem?

CAUTION
The device may become damaged!
If there is an overload due to the fact that the operating temperature is too high, it will not be possible to switch on again the dimmer and it must be replaced.

The connected lamp doesn't switch on

- ① Reduce the connected load.

The dimmer dims down by itself

- ① Switch off the dimmer and allow to cool down.
- ② Reduce the connected load.

Technical data

Mains voltage:	AC 230 V, 50 Hz
Nominal load:	
SBD420RCRL	20 - 420 W
SBD600RCRL	20 - 600 W
Minimum load:	20 W
Load type:	Either ohmic / capacitive or ohmic / inductive load
Short-circuit protection:	Electronic
Surge protection:	Electronic
Operating temperature:	+5°C to +35°C

Schneider Electric Industries SAS

If you have any technical questions, please contact the main customer advisory service for your country.
www.schneider-electric.com: => "Select your country"