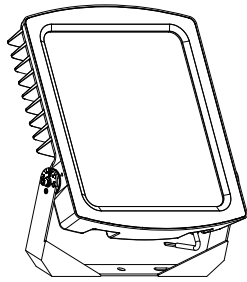
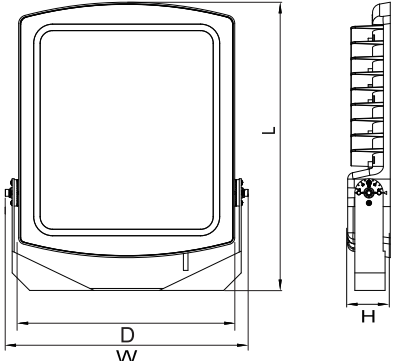


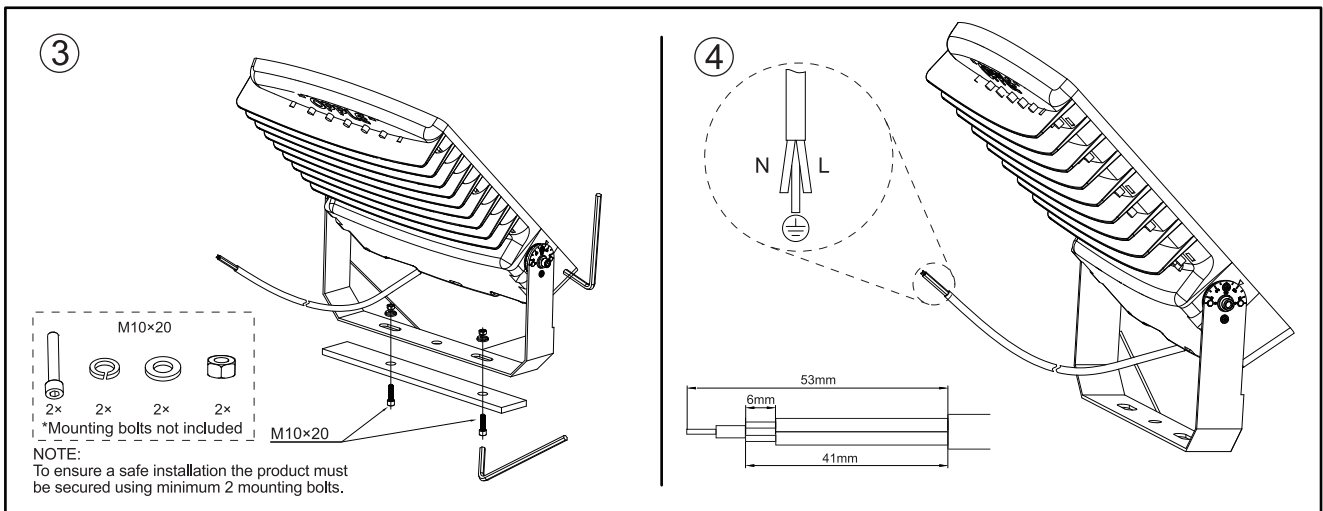
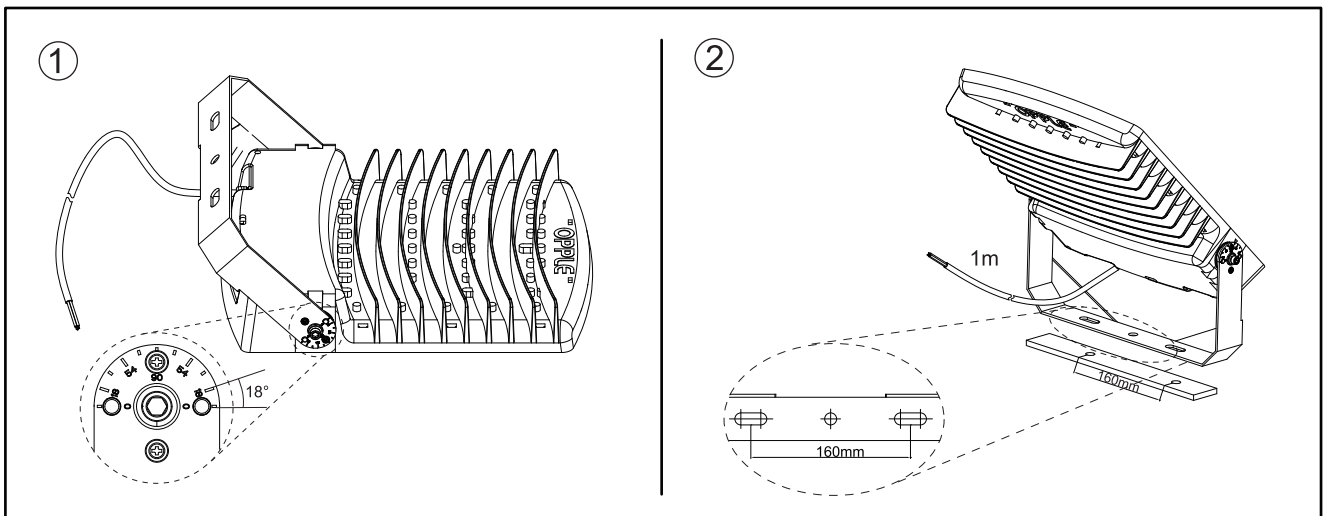
## LED Floodlight Performer

Item Code	CCT	kg
543017026100	4000K	6.41kg
543017026200	4000K	6.41kg
543017041100	4000K	6.41kg
543017026300	5700K	6.41kg
543017026400	5700K	6.41kg
543017041200	5700K	6.41kg

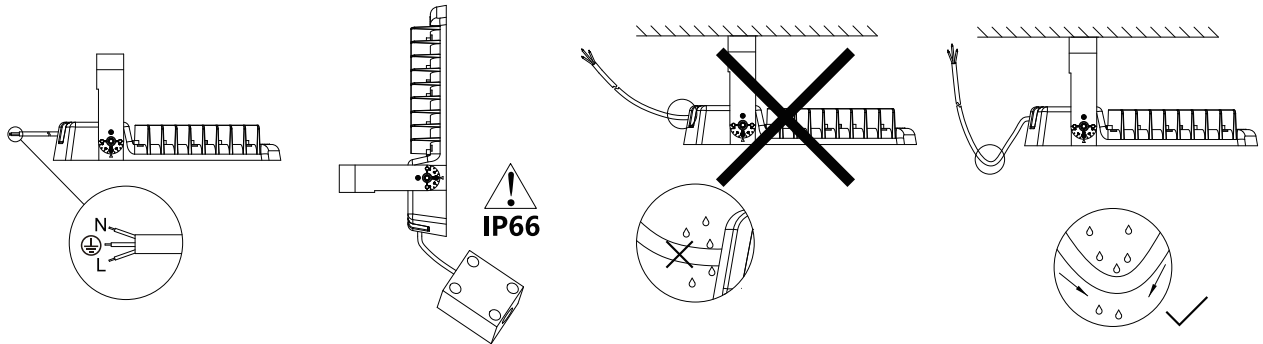



Model	L (mm)	W (mm)	H (mm)	D (mm)	Rated Voltage	Frequency	Rated Power
LED FL-P R440-220W	440	371	65	330	220-240V~	50/60Hz	220W

Installation Height: > 3m  
Maximum Projected Area of the Luminaire: 140,000mm<sup>2</sup>



Additional IP66 waterproof connection box (Not included in packaging) is necessary for power connection to ensure the waterproof performance and safety. The connection box and terminal block in it should conform to EN 60998-2-1 or EN 60998-2-2 (Purchase Separately). The terminal should be adapted to 0.75-1.5mm<sup>2</sup> wire.



In case of broken glass the luminaire should be disposed of.

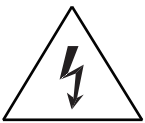


In case of damage to the wire, it has to be replaced only by the manufacturer, distributor or by an expert, to avoid risks.

Caution: Any operation on LED module is forbidden while power-on.

Zur Vermeidung von Risiken müssen defekte Leitungen ausschließlich vom Hersteller, Inverkehrbringer oder Fachmann ausgetauscht werden.

Achtung: In Betrieb ist keine Arbeit am LED-Modul erlaubt.

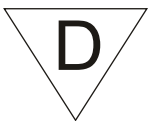


For non-user replaceable light sources.

The light source contained in this luminaire shall only be replaced by the manufacturer or his service agent or a similar qualified person.



Minimum distance from illuminated object.



For use in environments where normal non-conductive/conductive dust accumulation may be expected, not for use in environments with expected high/unusual dust accumulation.

