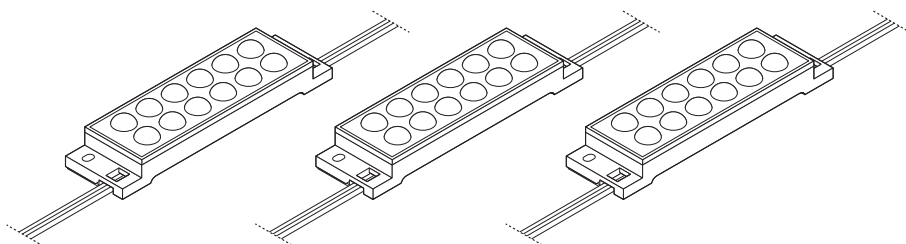


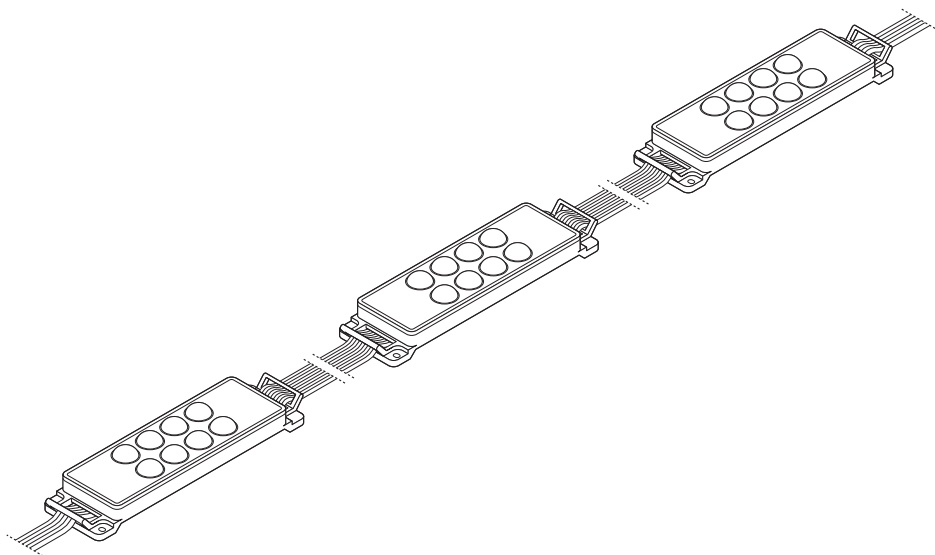
BackLED® TW Plus G2

BackLED® RGBW Plus G2

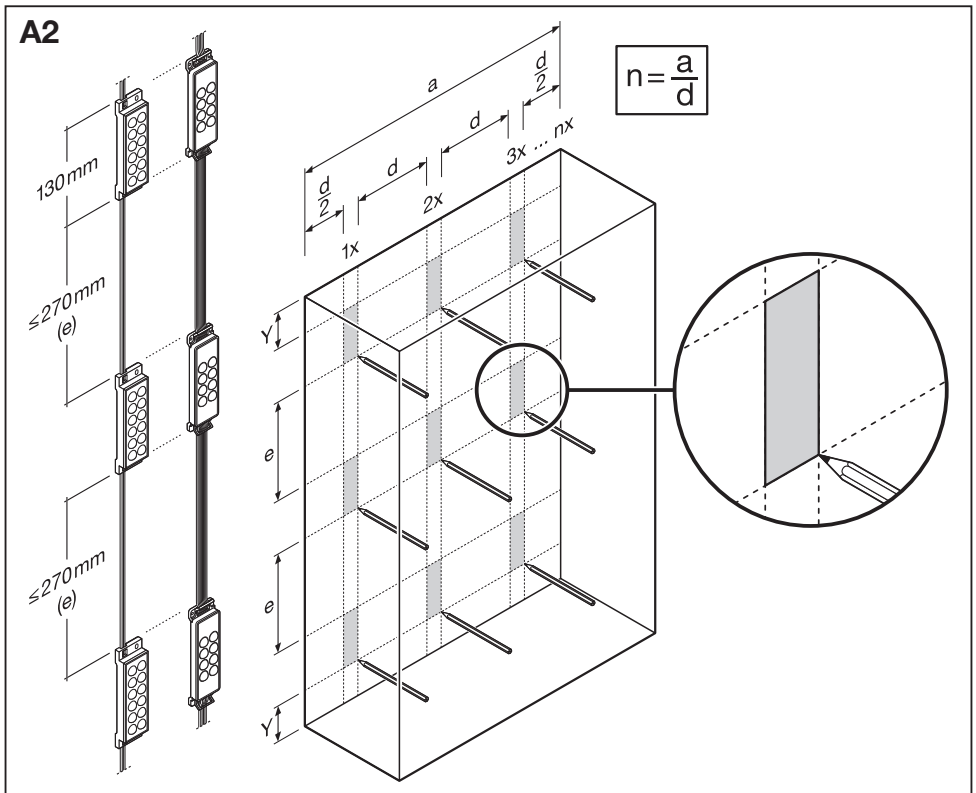
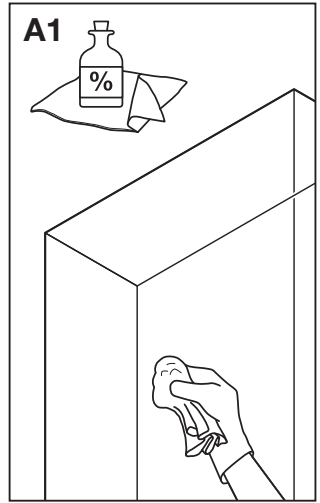
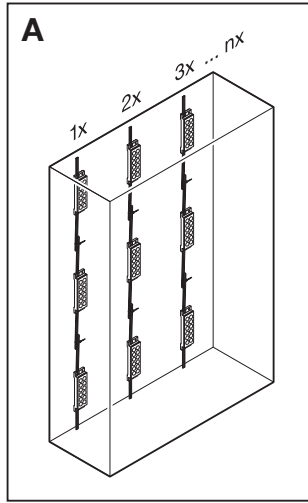
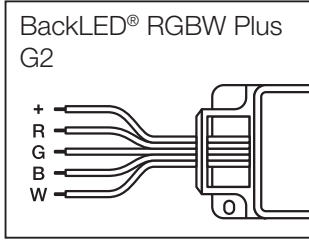
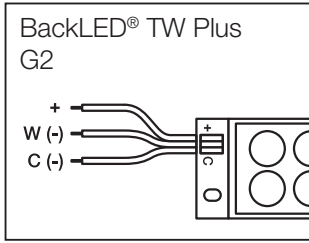
BA-TW-PL 827-865 G2 96W 24V – EAN 4052899452954

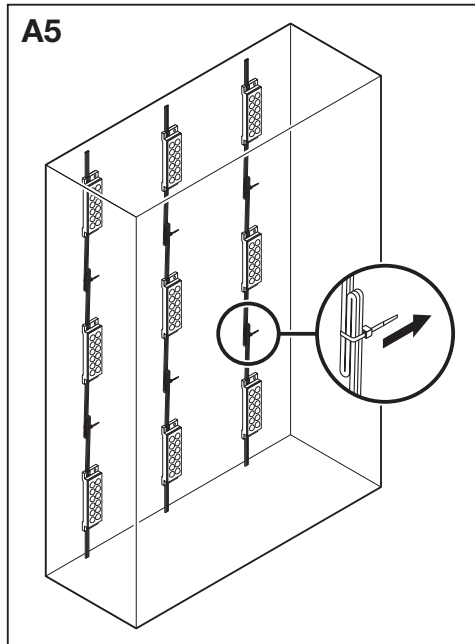
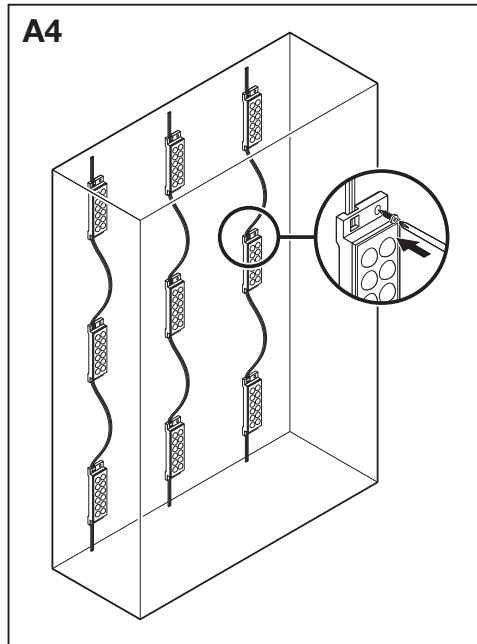
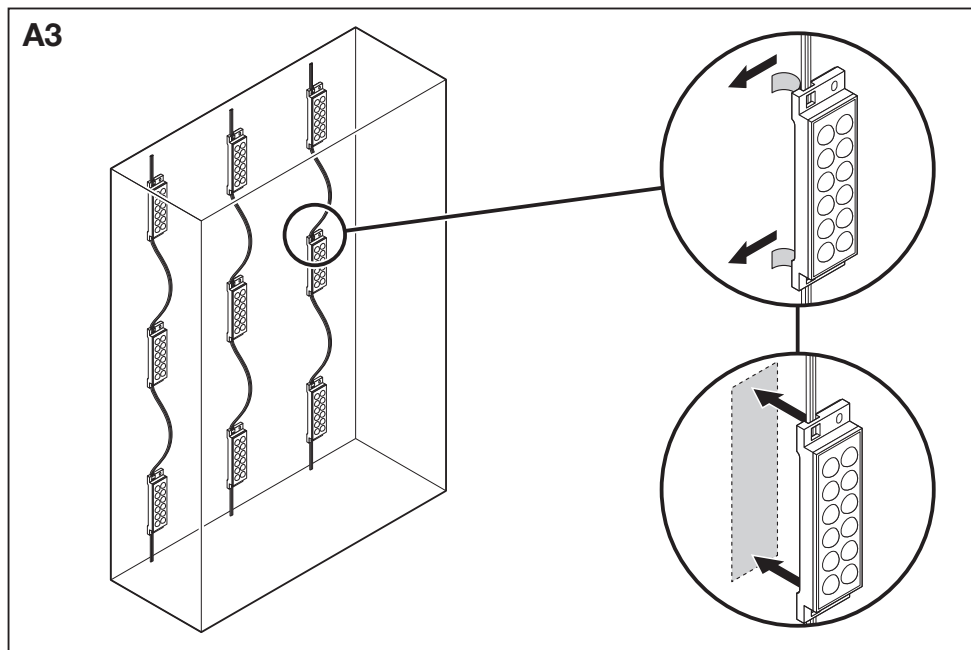


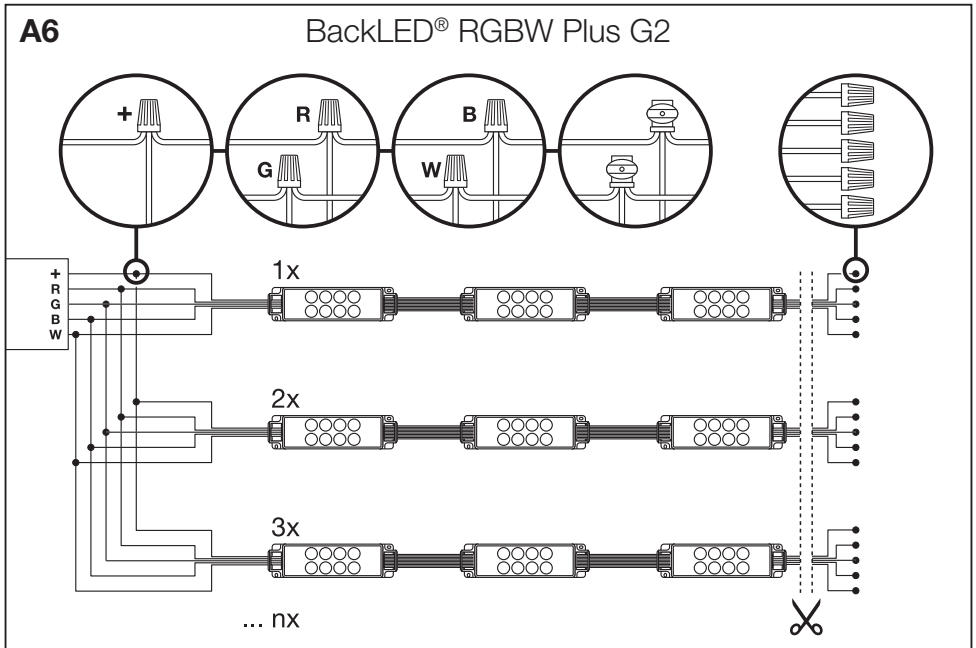
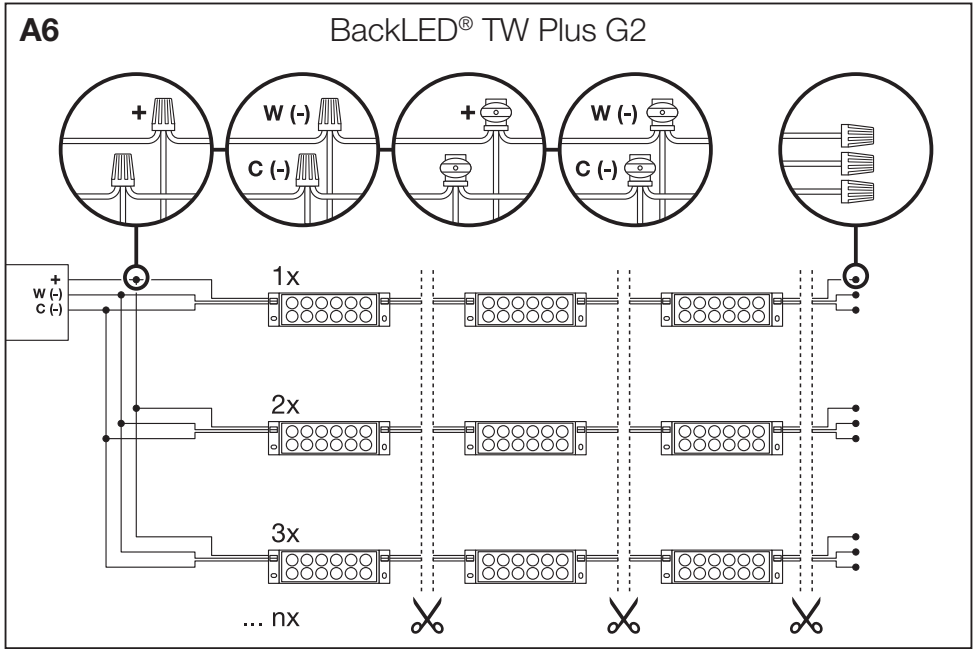
BA-RGBW-PL G2 55.2W 24V – EAN 4052899452930

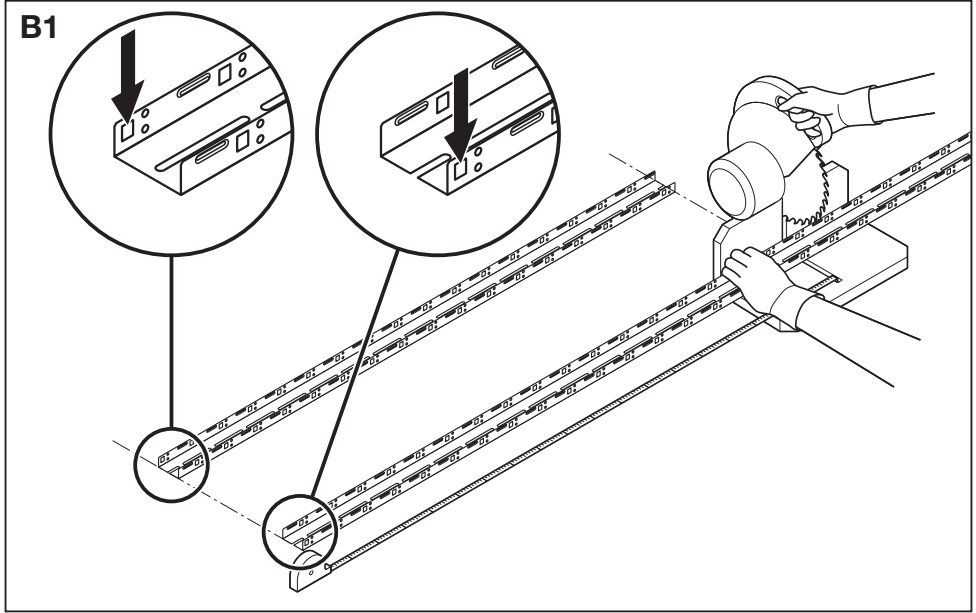
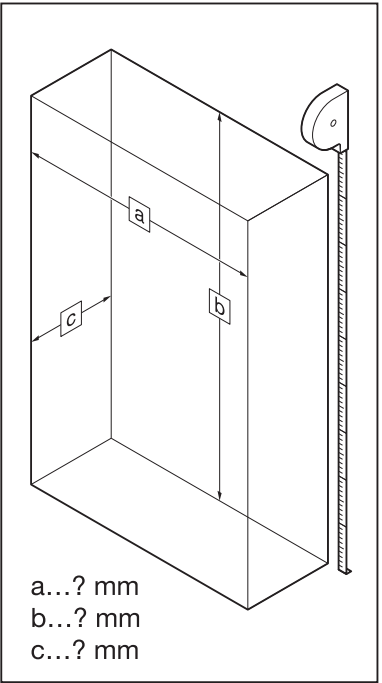
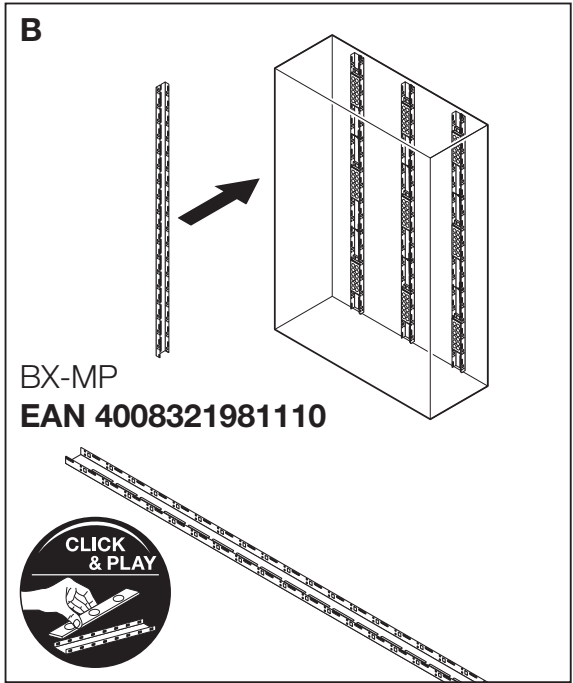


OSRAM

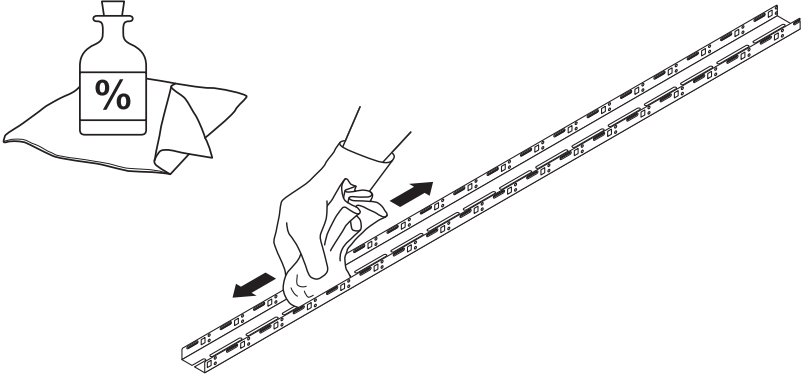




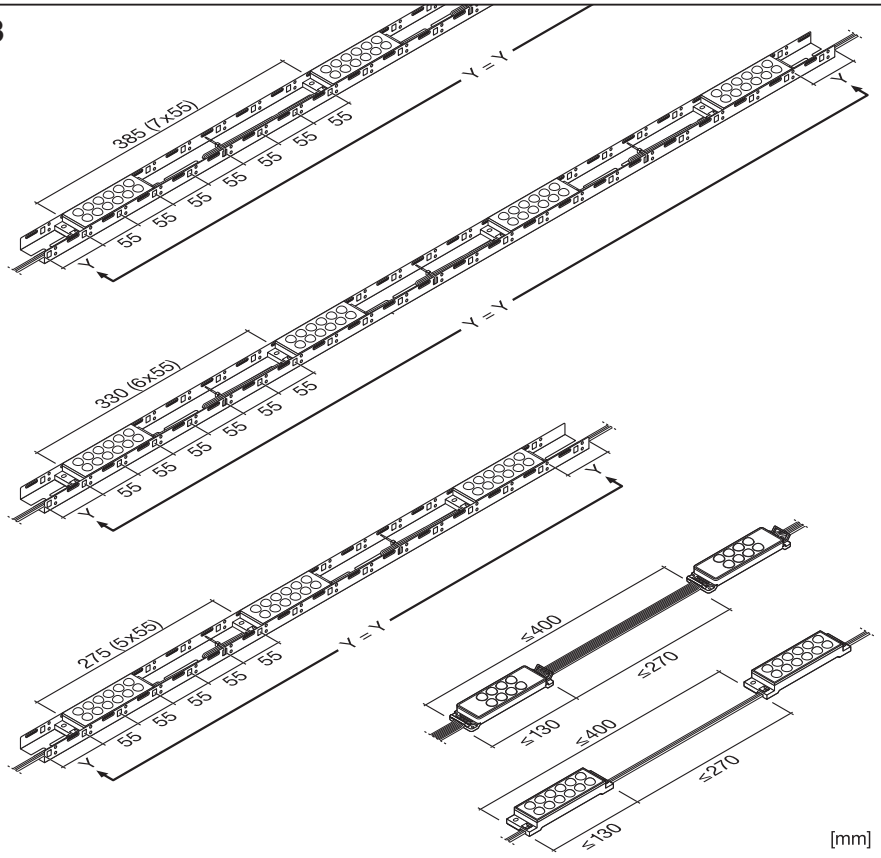


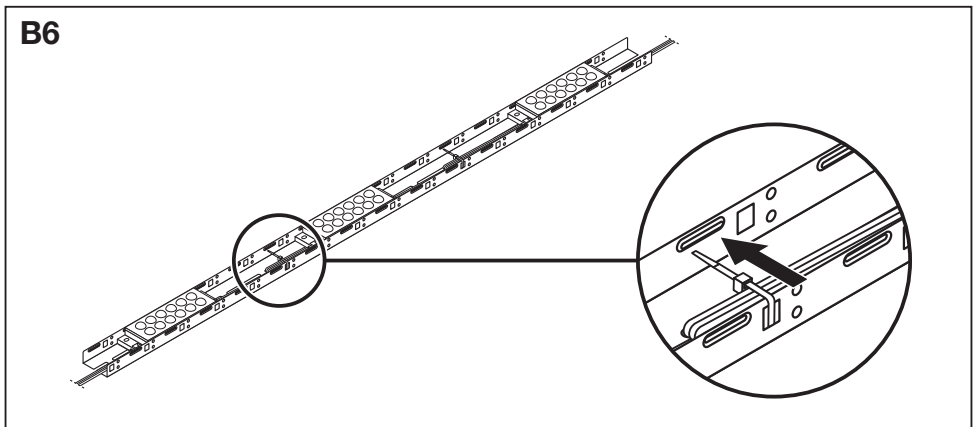
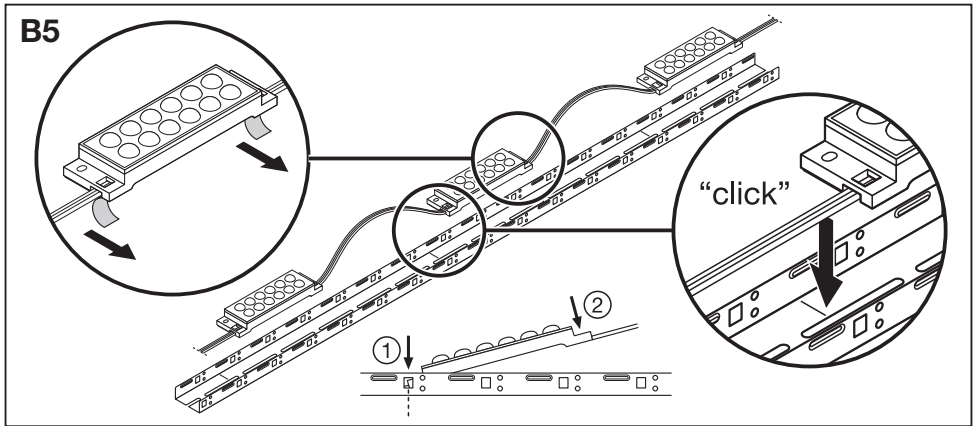
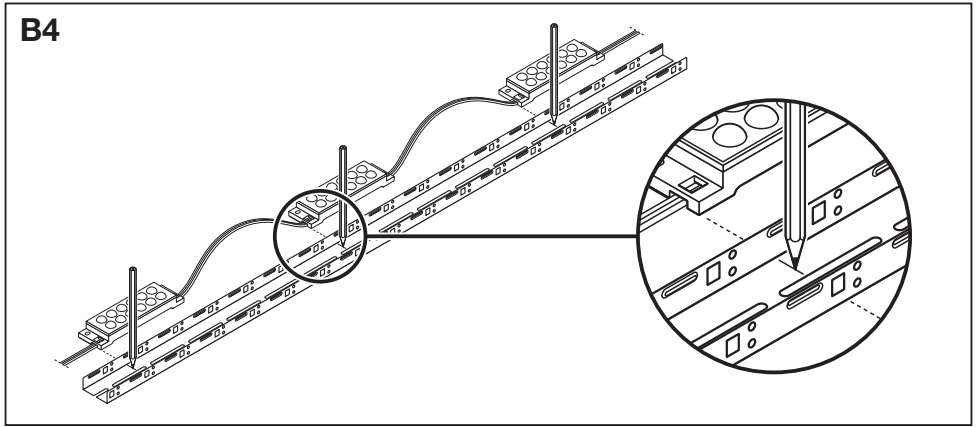


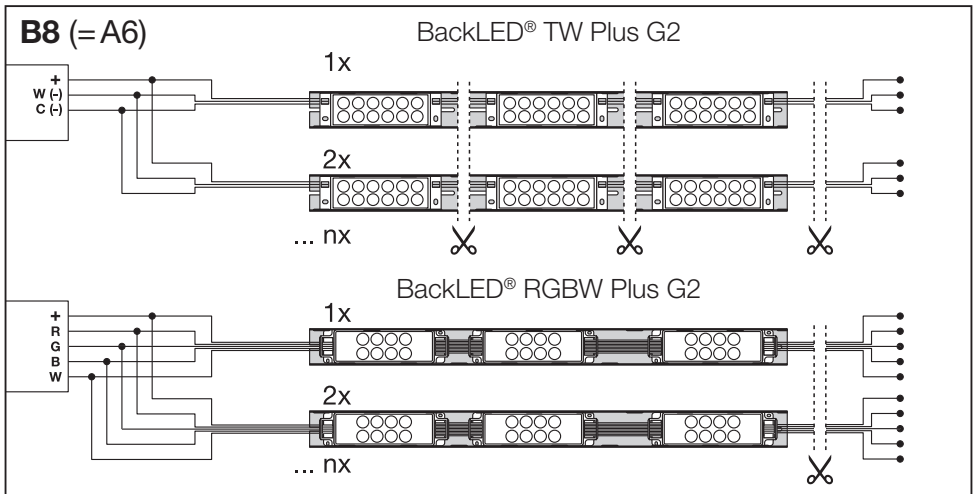
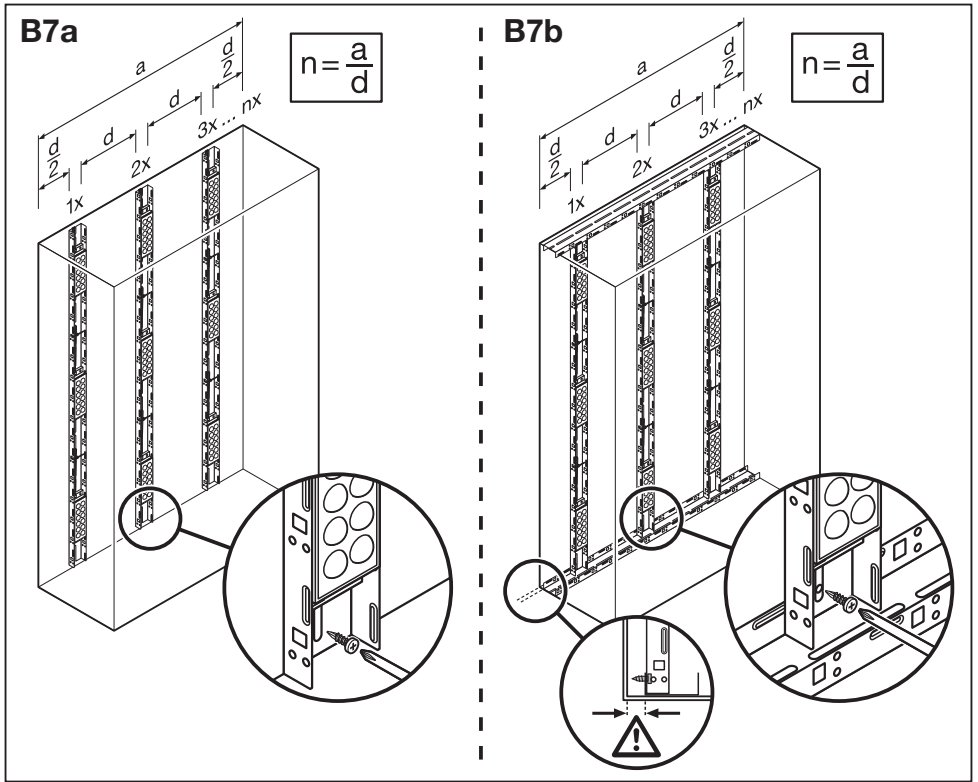
B2



B3







OSRAM China Lighting Ltd.
 No. 1 North Industrial Road
 Postal Code: 528000
 Foshan, Guangdong
 China



C10449058
 G15001675
 01.08.16

OSRAM GmbH
 Steinerne Furt 62
 86167 Augsburg
 Germany
www.osram.com