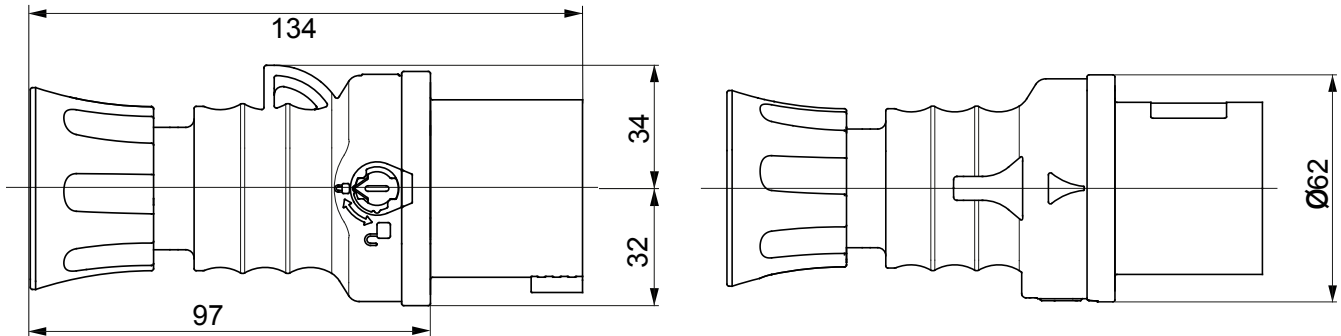




IEC 309 HP: range of straight plugs with phase inverter socket-outlets complying with the safety requisites defined by the international Standards IEC 60309-1 and IEC 60309-2 and assimilated at European level as EN 60309-1 and EN 60309-2. Allow the fast and safe exchange of two phases by using a screwdriver to reverse the direction of rotation of three-phase motors for mobile and fixed equipment. This range expands GEWISS's assortment straight plugs 16-32A, with degree of protection IP44/IP54 for protected versions and IP66/IP67/IP68/IP69 for whaterthing versions to ensure full protection for all applications. The technopolymers and thickness used for the parts made of insulating material guarantee an elevated degree of mechanical and chemical agent resistance. All the pins of the IEC 309 HP INVERTER plugs are surface-treated with nickel-plating to ensure full protection against corrosion, oxidation and abrasion.

Colour	Red	Rated current (A)	16
IP degree	IP44/IP54	No. of poles	3P+E
Mechanical resistance	IK09	Reference h	6
Rated voltage	380-415 V	Type	Straight plugs with phase inverter
Frequency	50/60 Hz	Terminal tightening capacity	1-2.5mm ² flexible cables
Cable clamp tightening capacity	7.5-13.8 mm	Operating temperature	-25 +55 °C
Type of wiring	With screw	Type of material	Halogen-free in compliance with EN 60754-2
Electrocod	2230	Glow wire test	850 °C (active parts) - 650 °C (passive parts)
Total number of operations	> 5000	Permissible overload	22 A
Breaking capacity at 1.1 Un	20 A	Insulation resistance	> 10 MΩ
Thermo-pressure with ball	125 °C (active parts) - 80 °C (passive parts)		

DIMENSIONAL



TECHNICAL SYMBOLOGY

IP

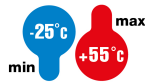
IP44/IP54

IK

IK09



INSTALLATION



HF
HALOGEN FREE

GWT

850 °C (active parts)
- 650 °C (passive parts)



125 °C (active parts)
- 80 °C (passive parts)

STANDARDS/APPROVALS

